



HIETAKARI®

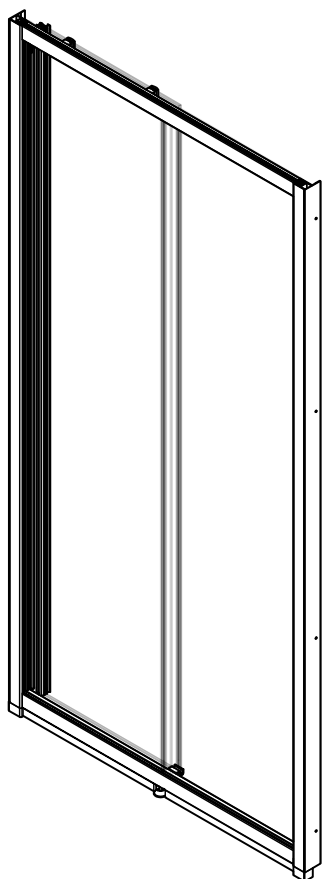


8/25 71RLM

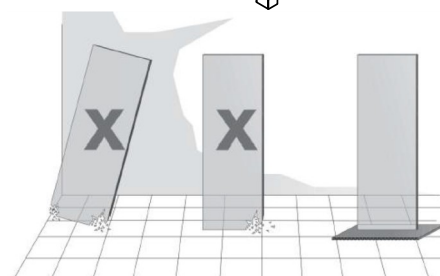
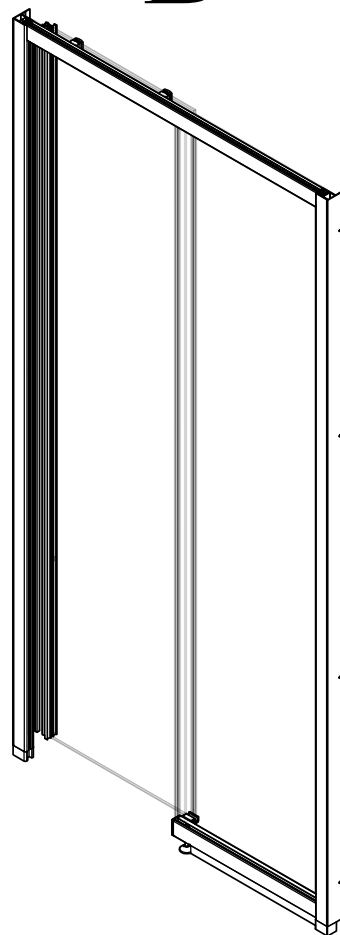
INFINIA 452



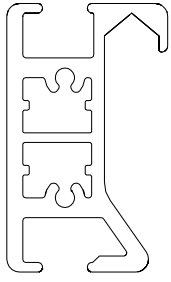
A



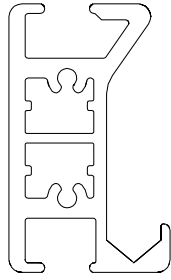
B



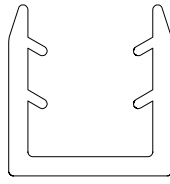
Parts



1. x1

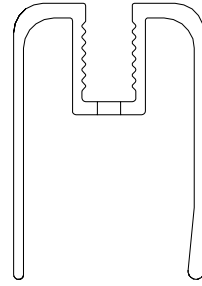


2. x1



3. x2

1/41 E0RLM

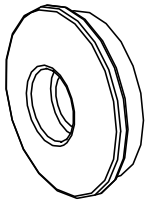


4. x1



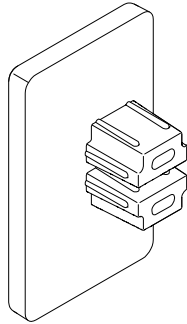
4/83 11RLM

5. 3.5x39 mm
x8 (x6 B)



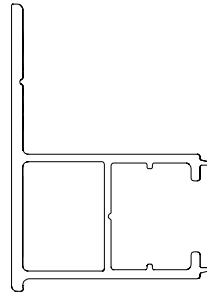
4/83 42RLM

6. x8 (x6 B)

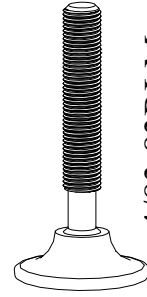


4/83 94RLM

7. x1 (x0 A)

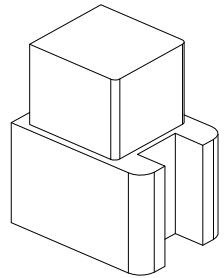


8. x2



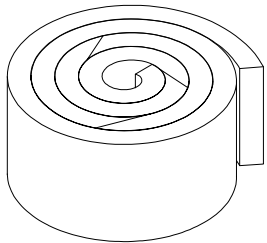
4/83 83RLM

9. x1



4/83 A2RLM

10. x2



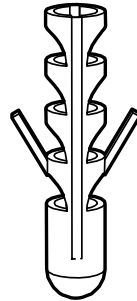
4/83 61RLM

11. x1



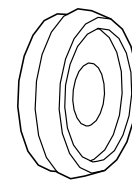
4/83 31RLM

12. 4.5x44 mm
x8



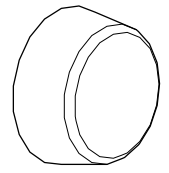
4/83 13RLM

13. 6x30 mm
x8



4/83 22RLM

14. x16



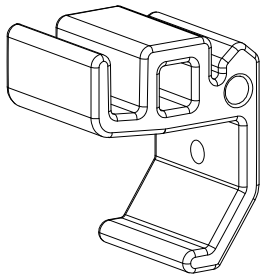
4/83 23RLM

15. x16



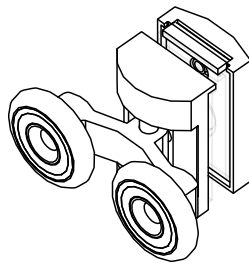
4/83 24RLM

16. 4.2x13 mm
x11



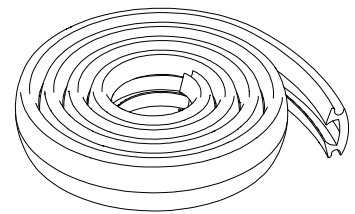
4/83 97RLM

17. x1



4/83 70RLM

18. x2



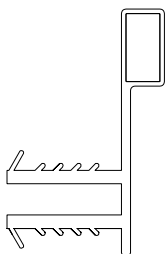
4/83 52RLM

19. x1



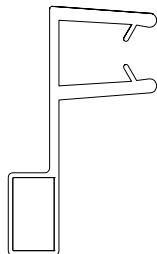
1/42 10RLM

20. x2



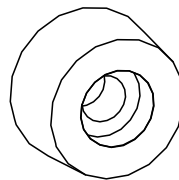
1/42 N0RLM

21. x1



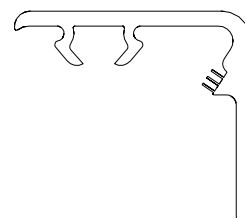
1/42 N0RLM

22. x1



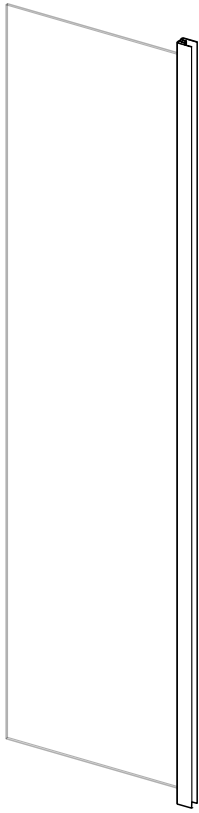
4/83 30RLM

23. x2

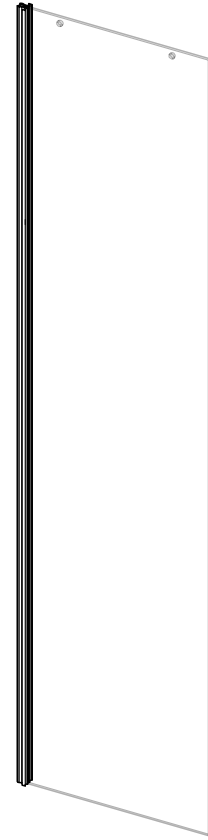


1/42 M0RLM

24. x1

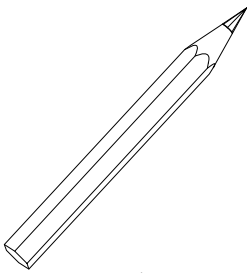


25. x1

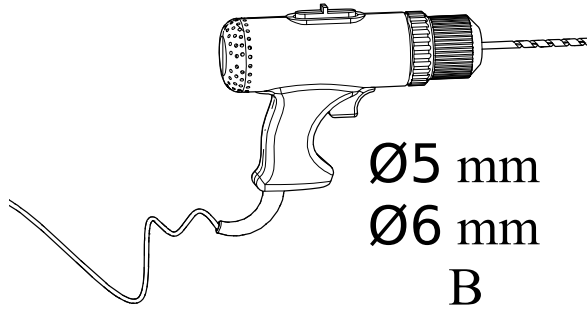


26. x1

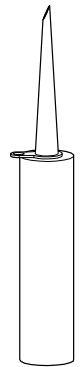
Tools



A

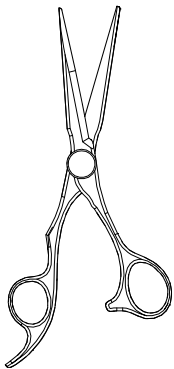


B



Silicone

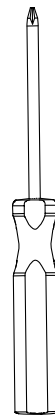
C



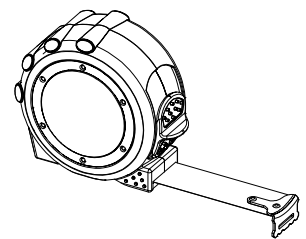
D



E



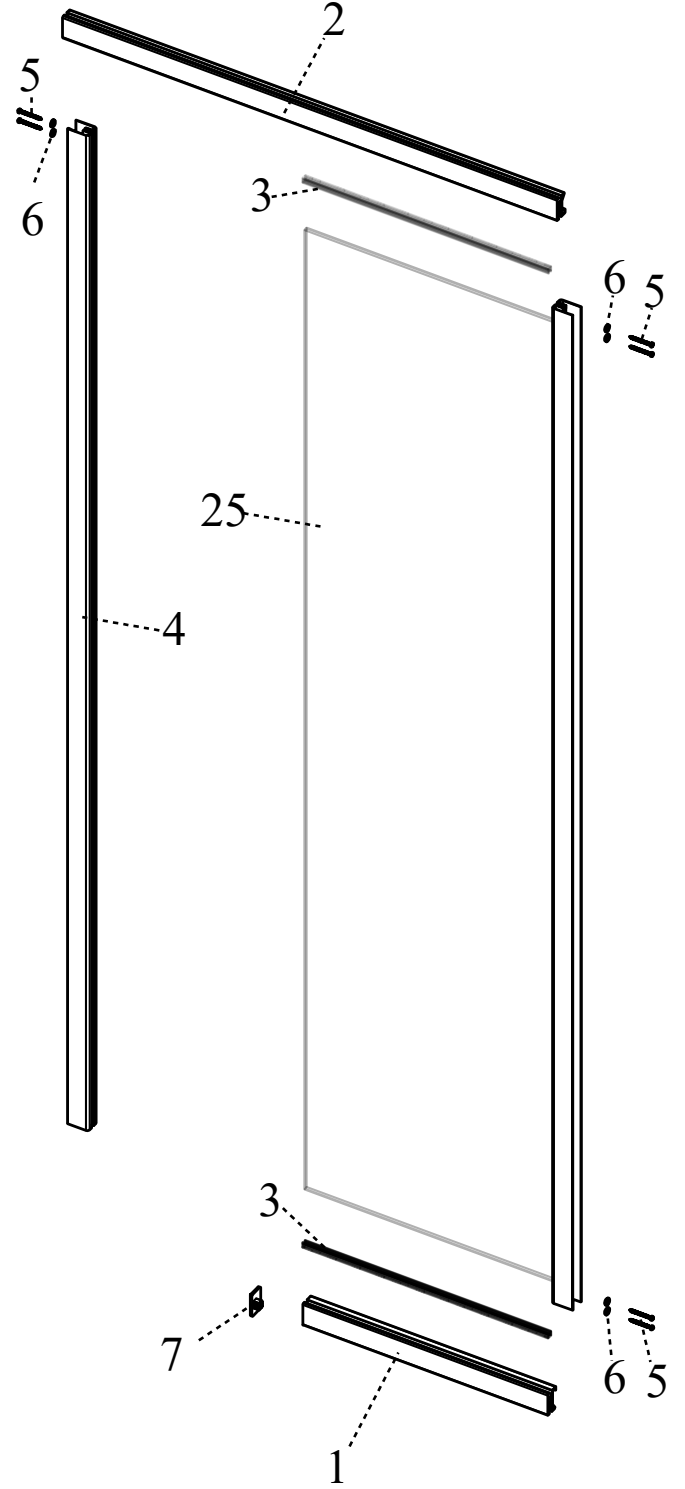
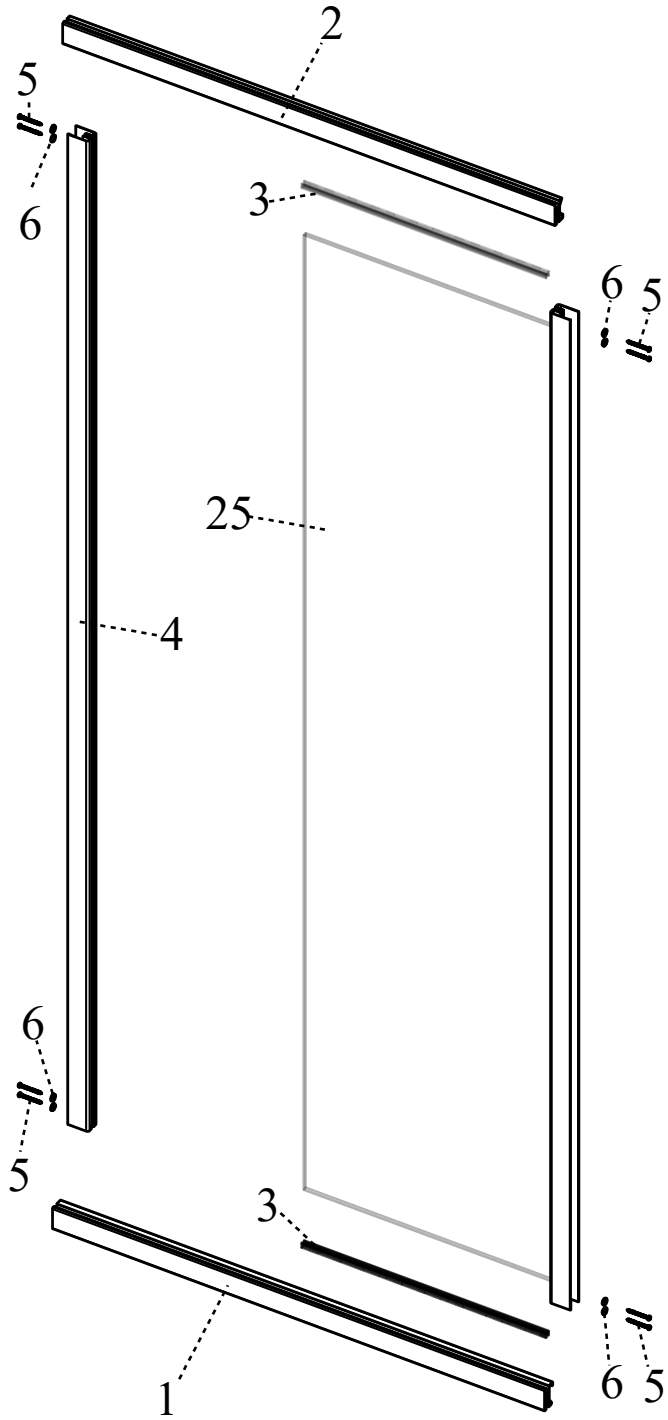
F



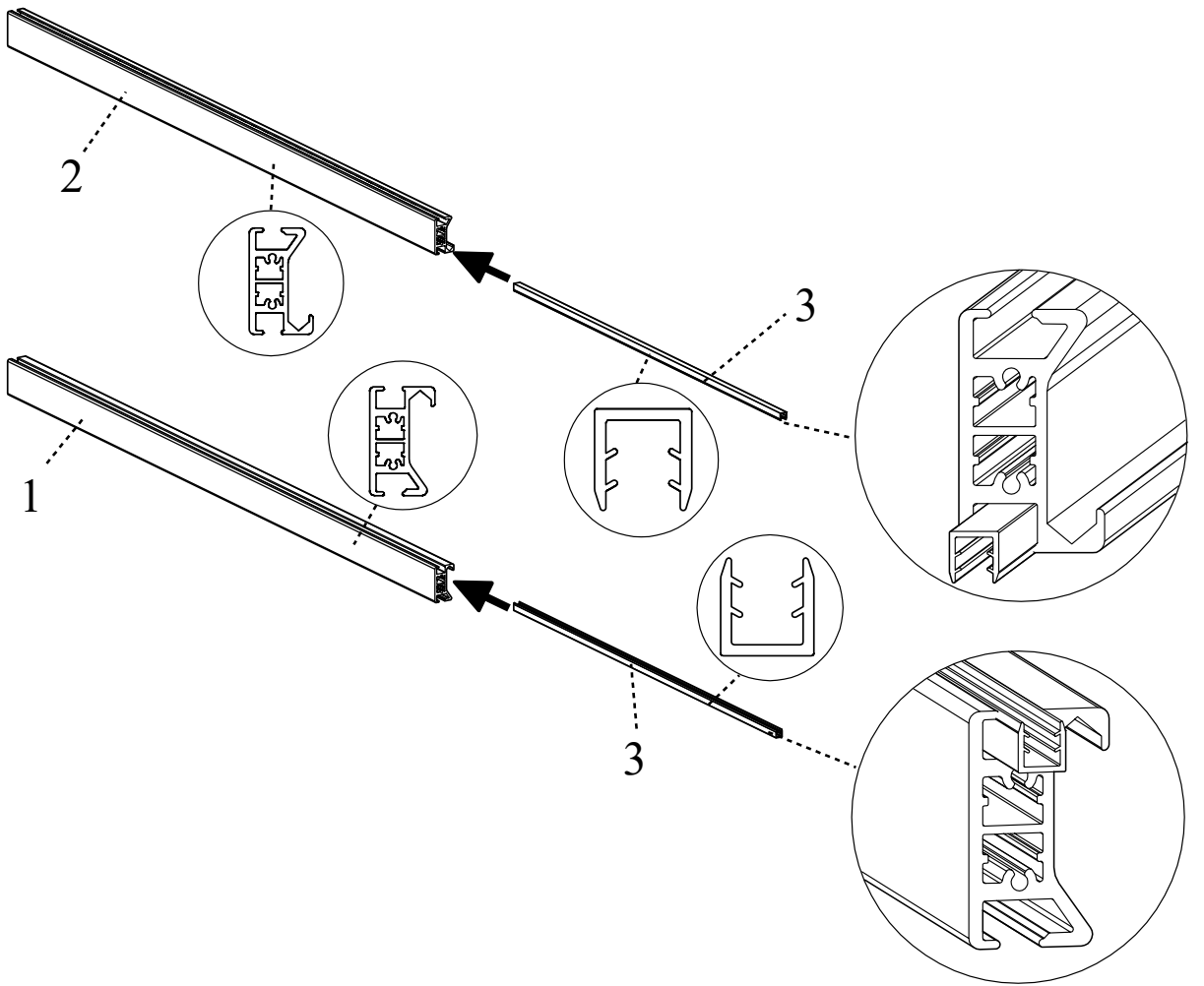
G

STEP 1/3 A

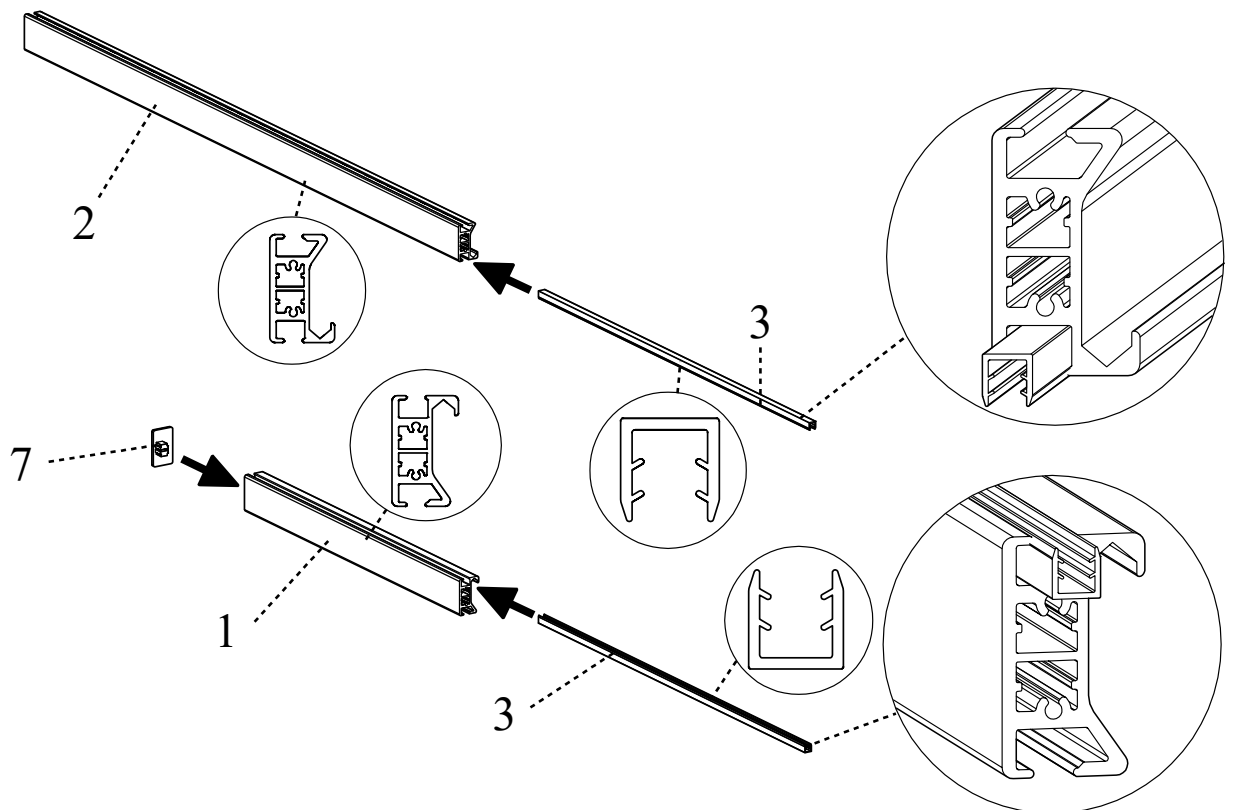
STEP 1/3 B



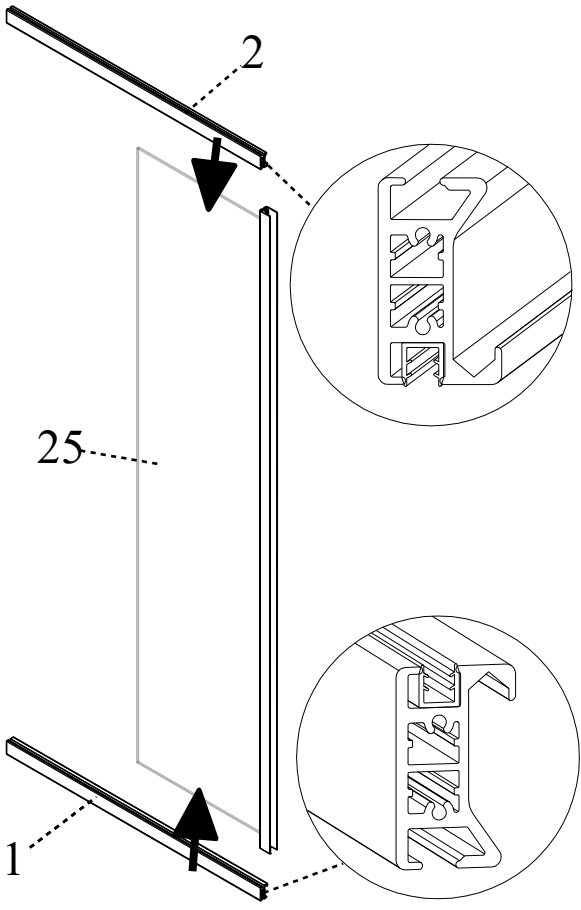
1.1A



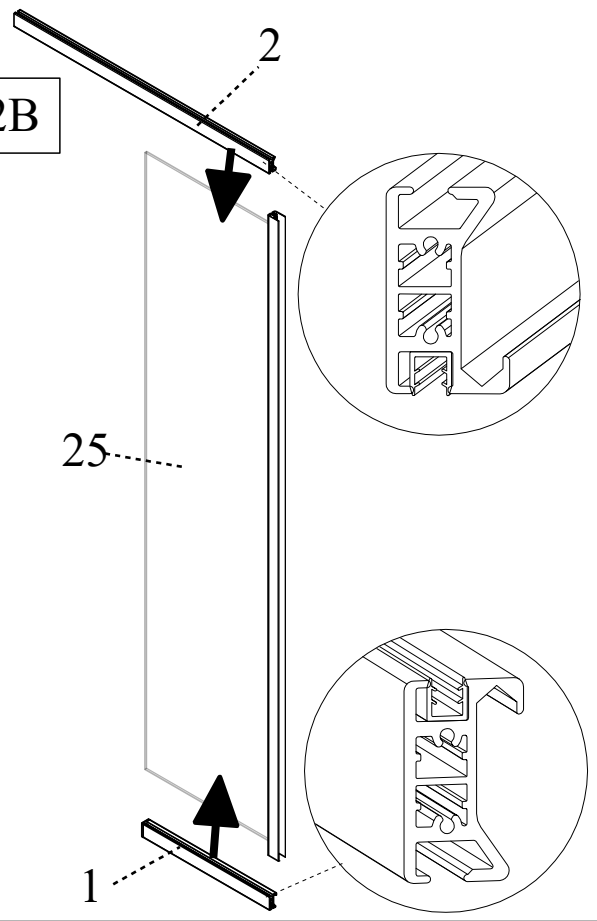
1.1B



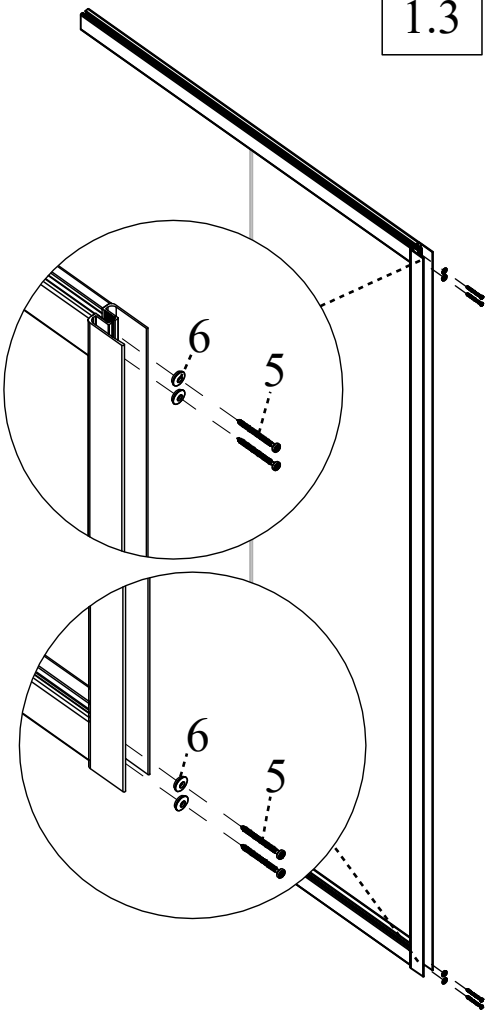
1.2A



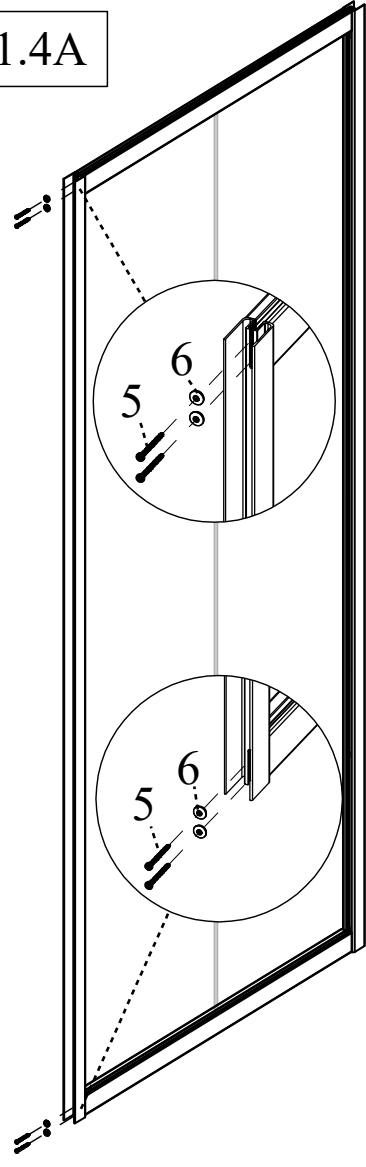
1.2B



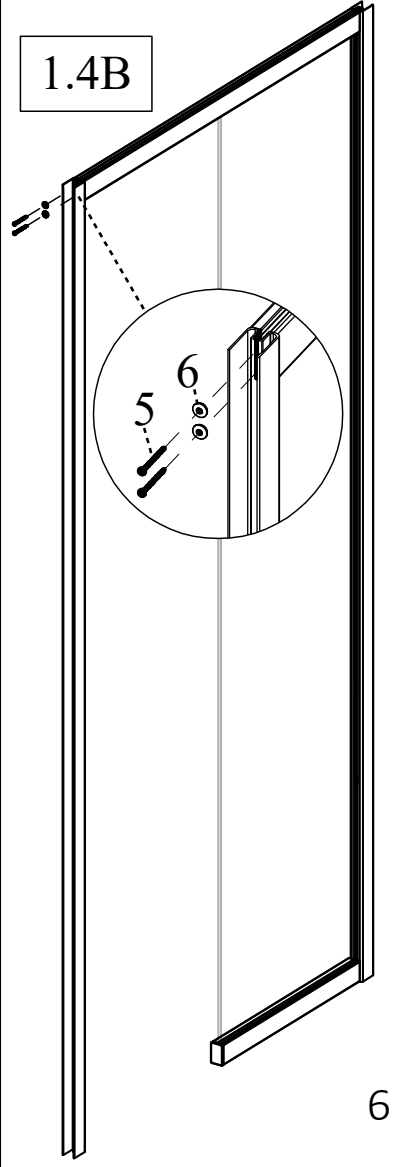
1.3



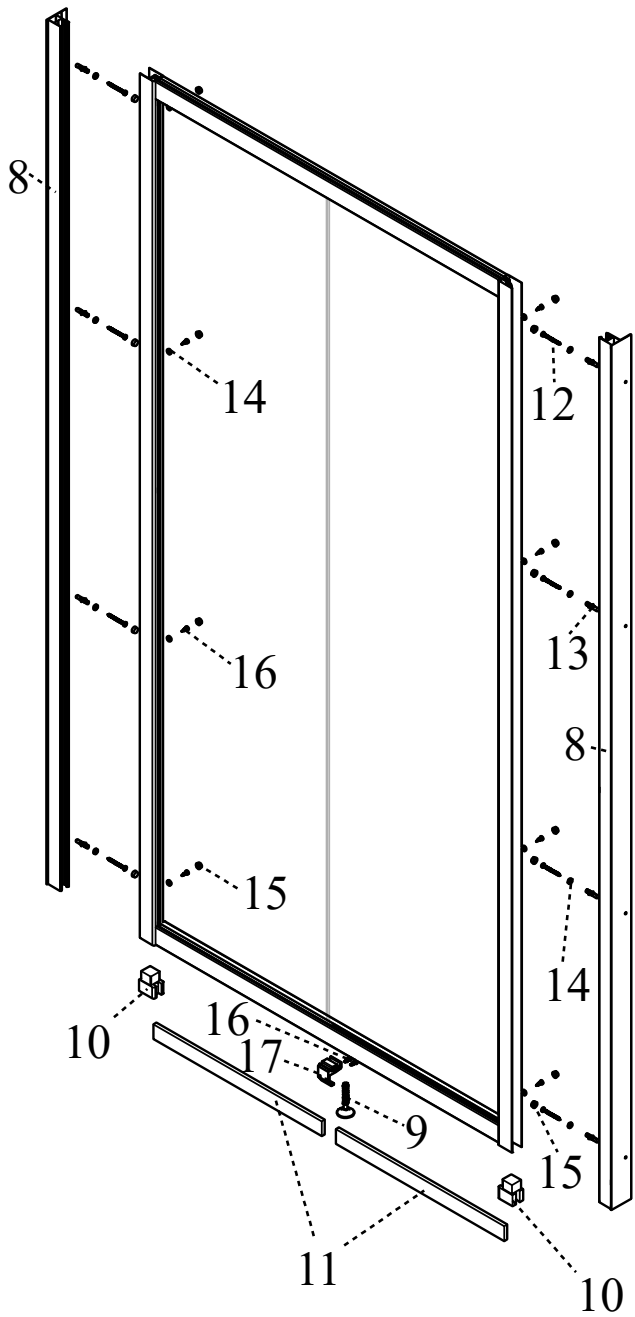
1.4A



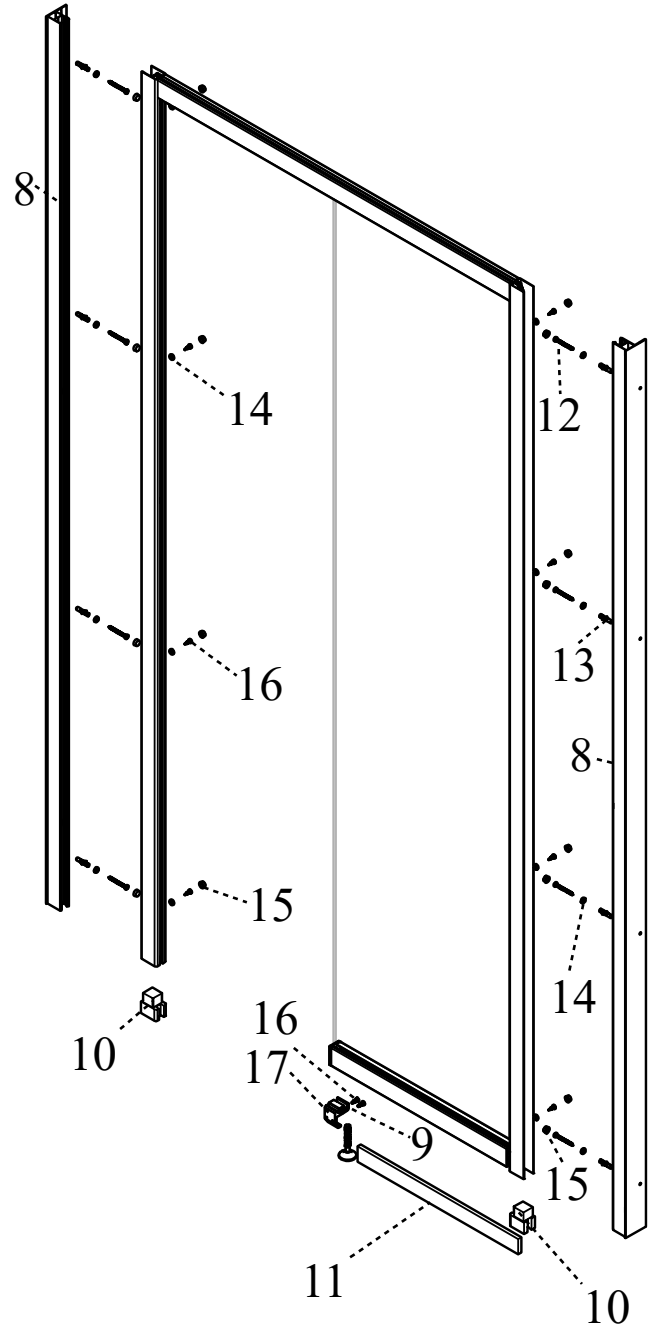
1.4B

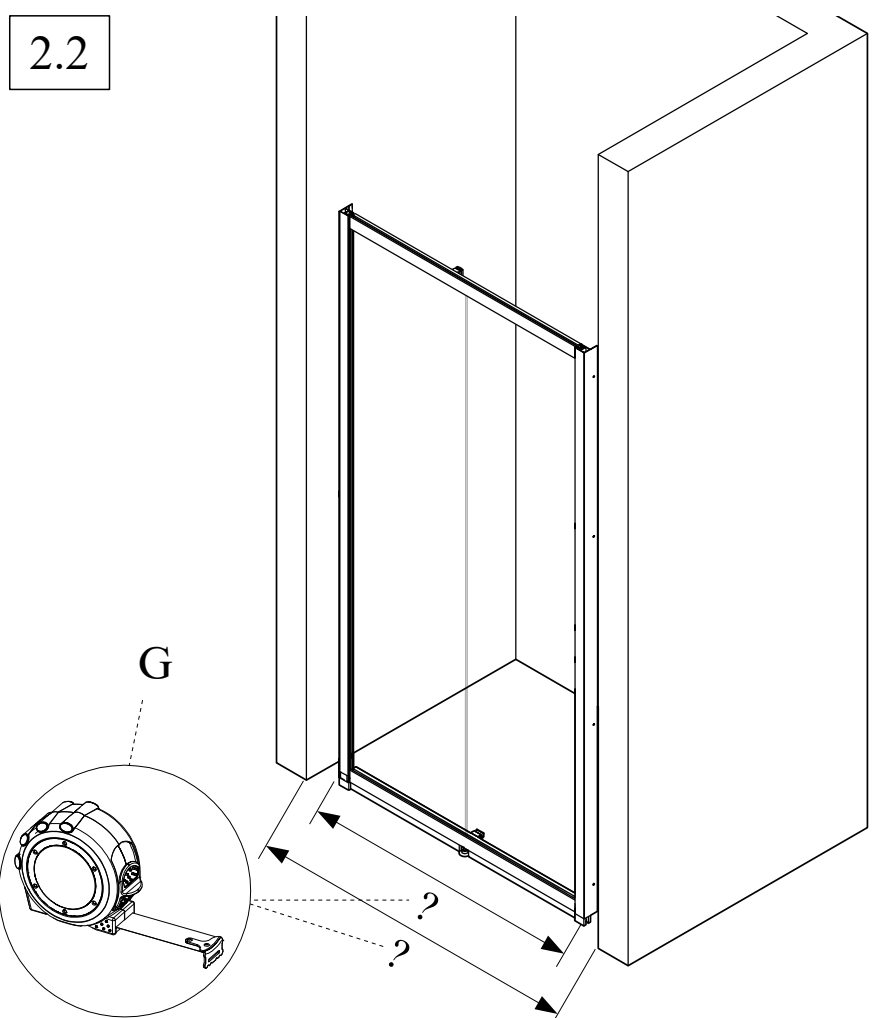
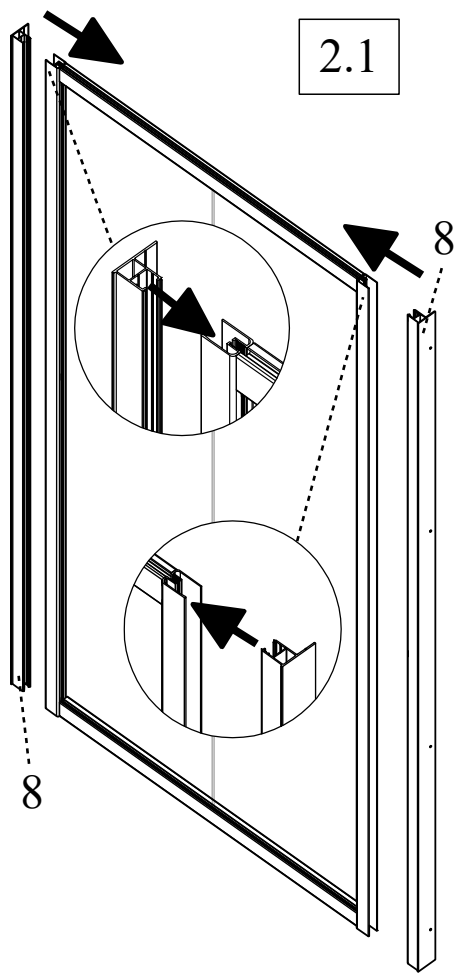


STEP 2/3 A



STEP 2/3 B

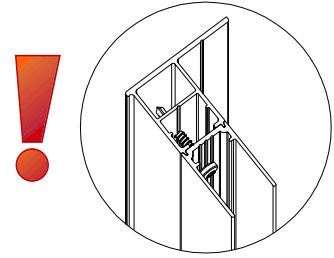
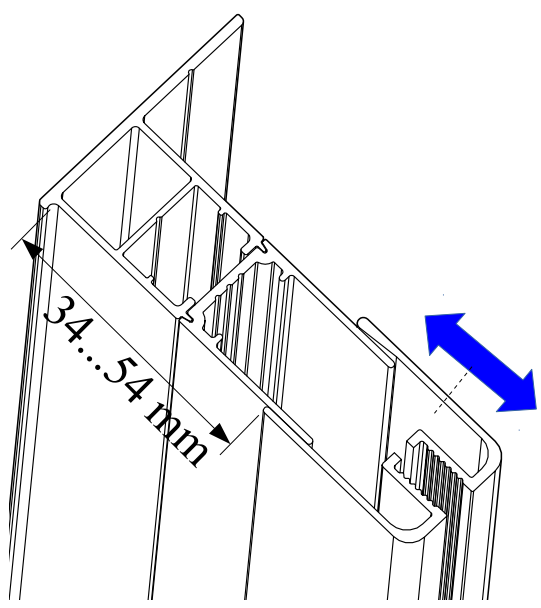
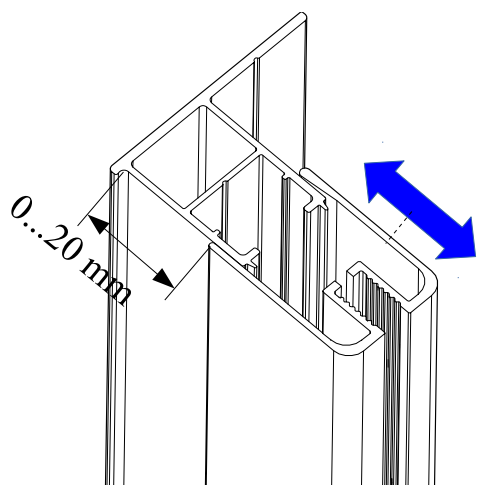




2.3

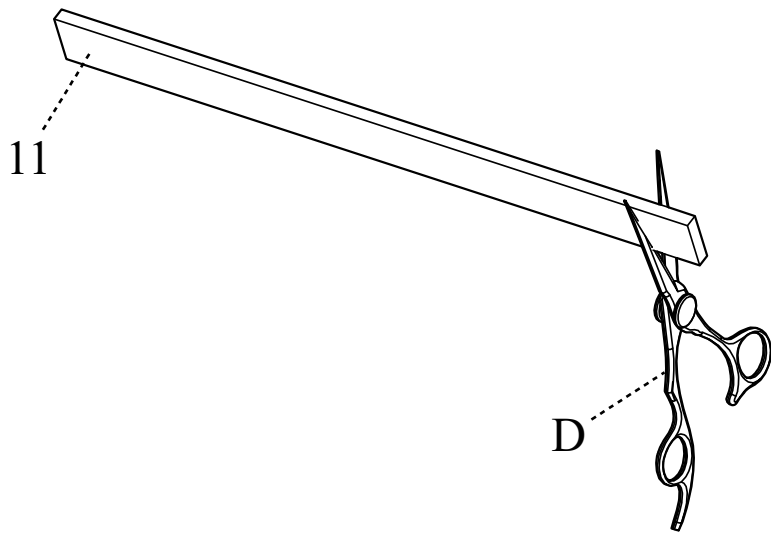
0 min...20 max

34 min...54 max

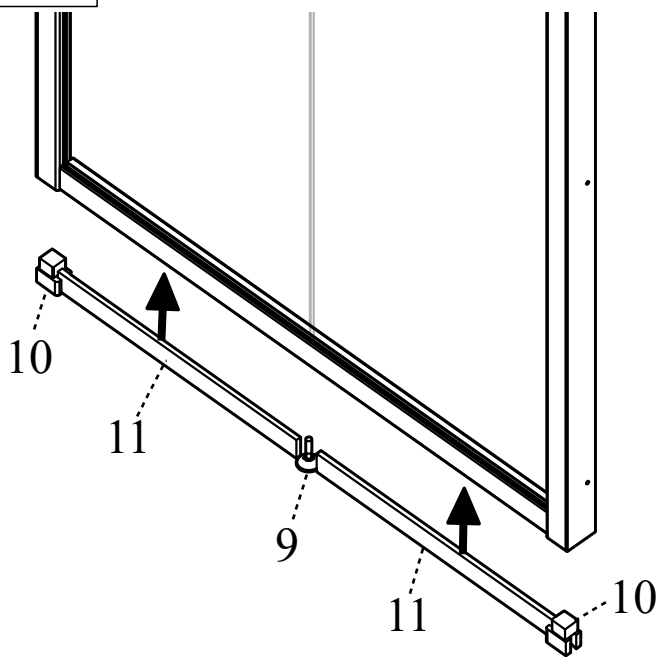


(EXTRA, Page 20-22)

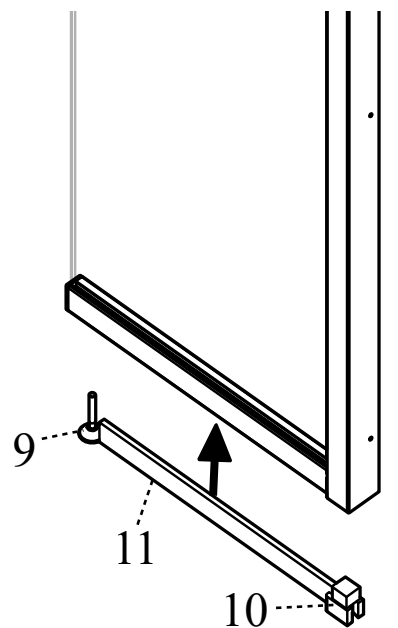
2.4



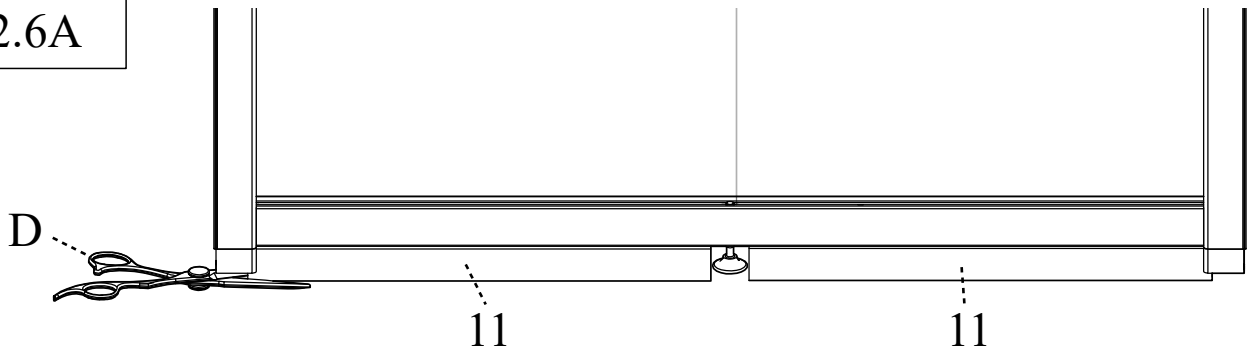
2.5A



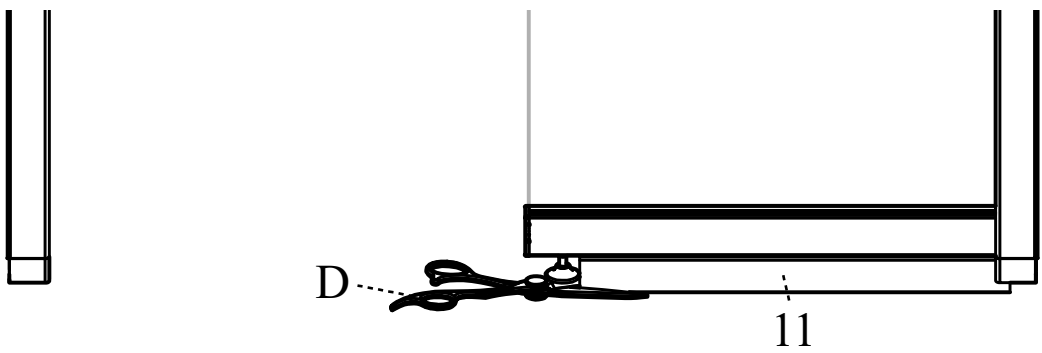
2.5B



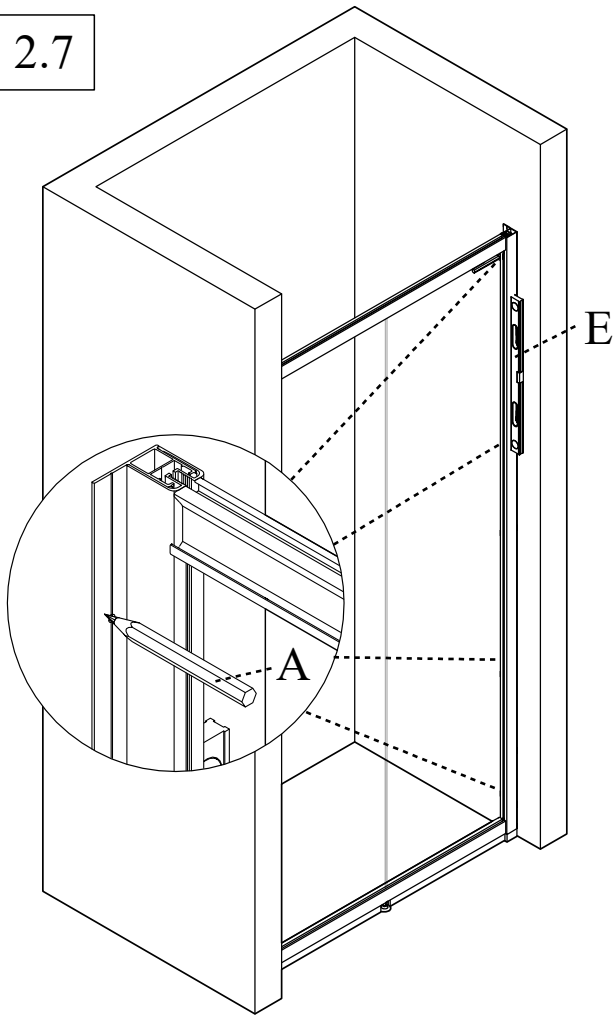
2.6A



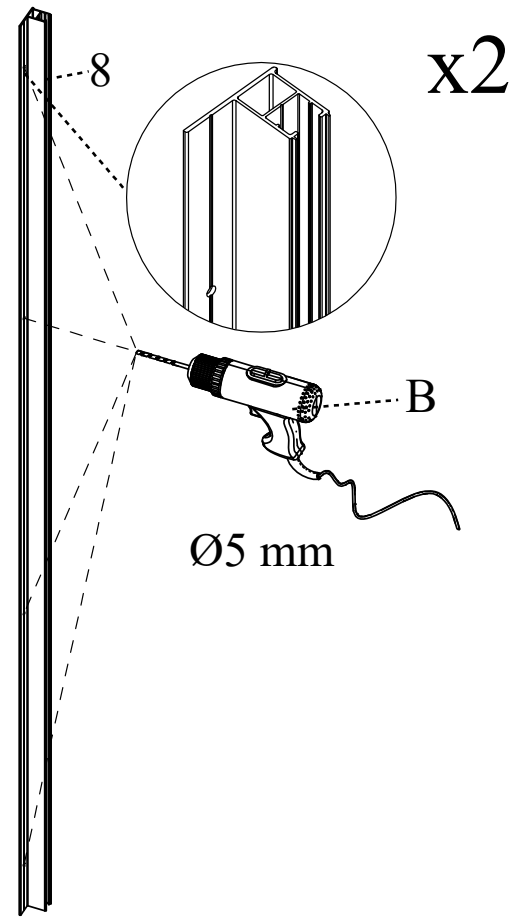
2.6B



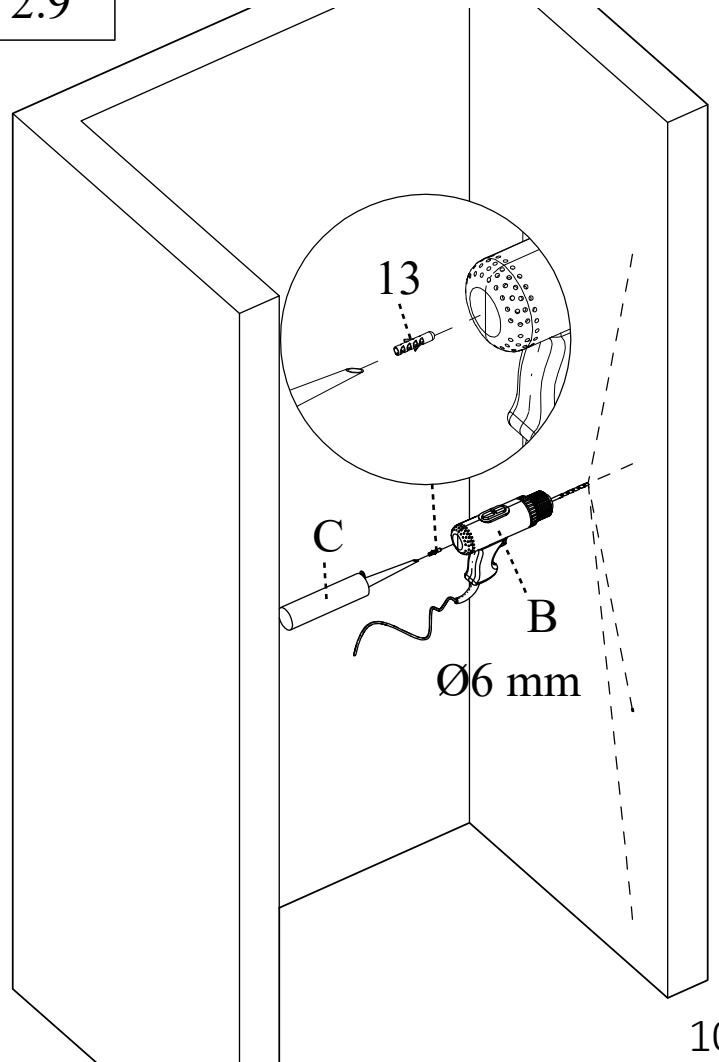
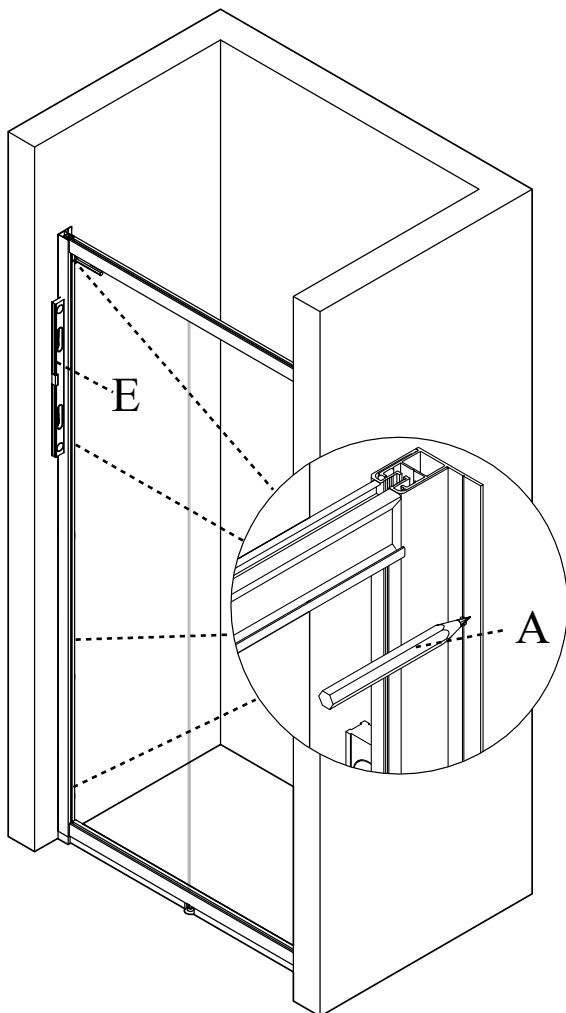
2.7



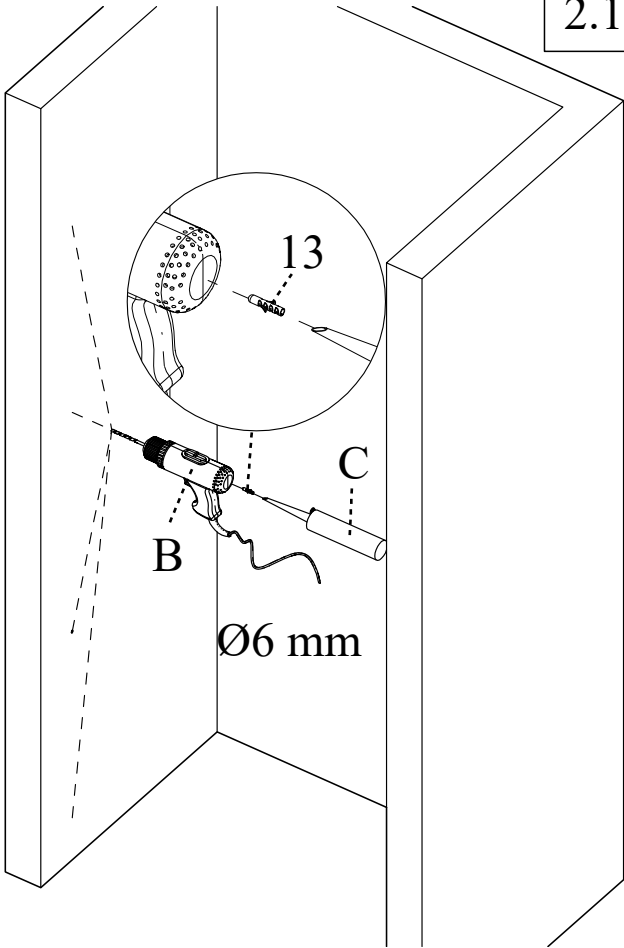
2.8



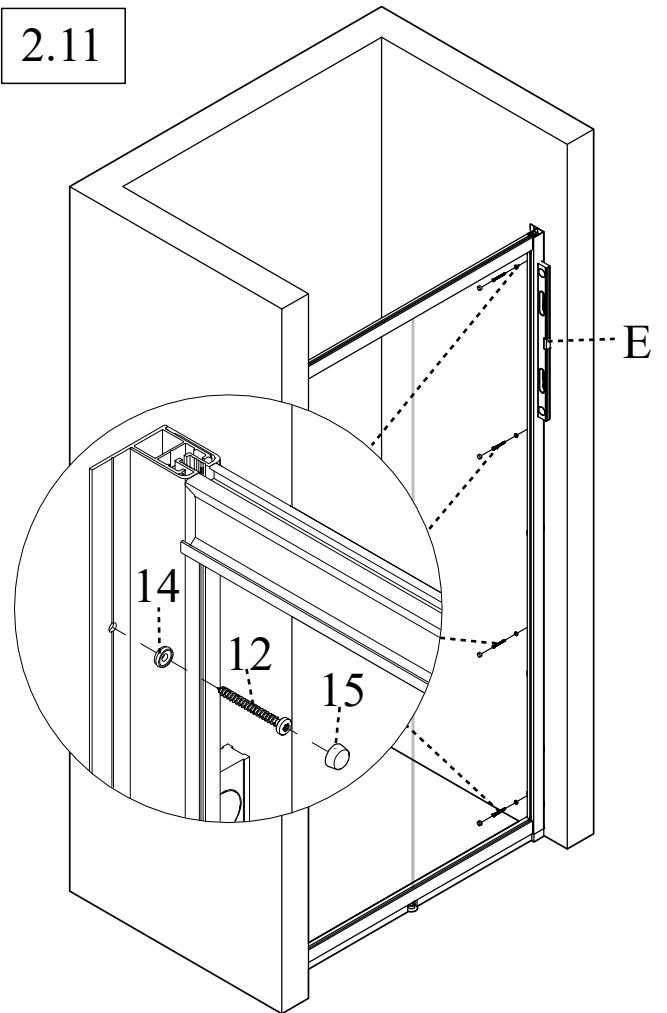
2.9



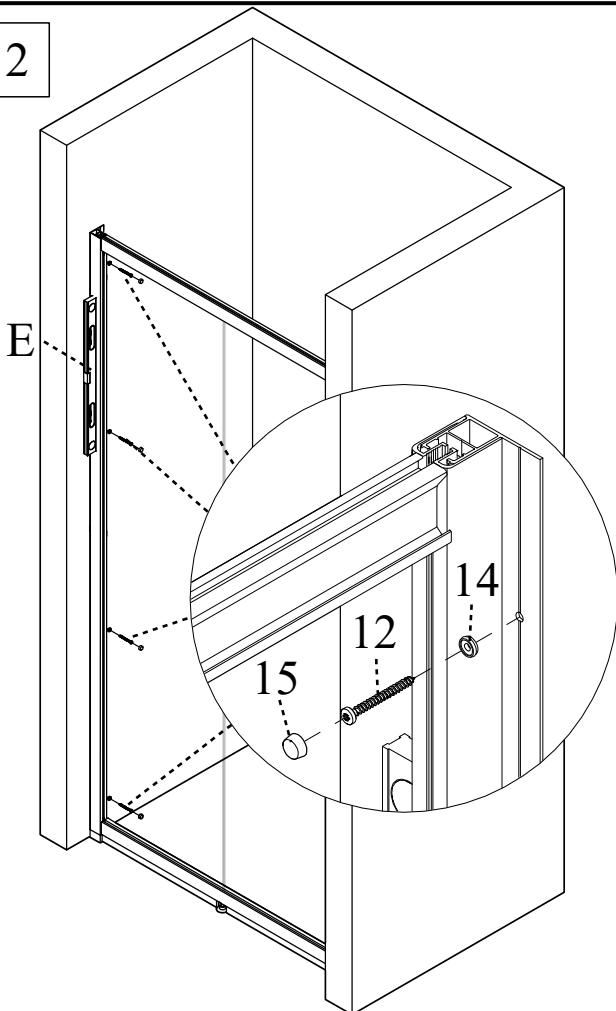
2.10



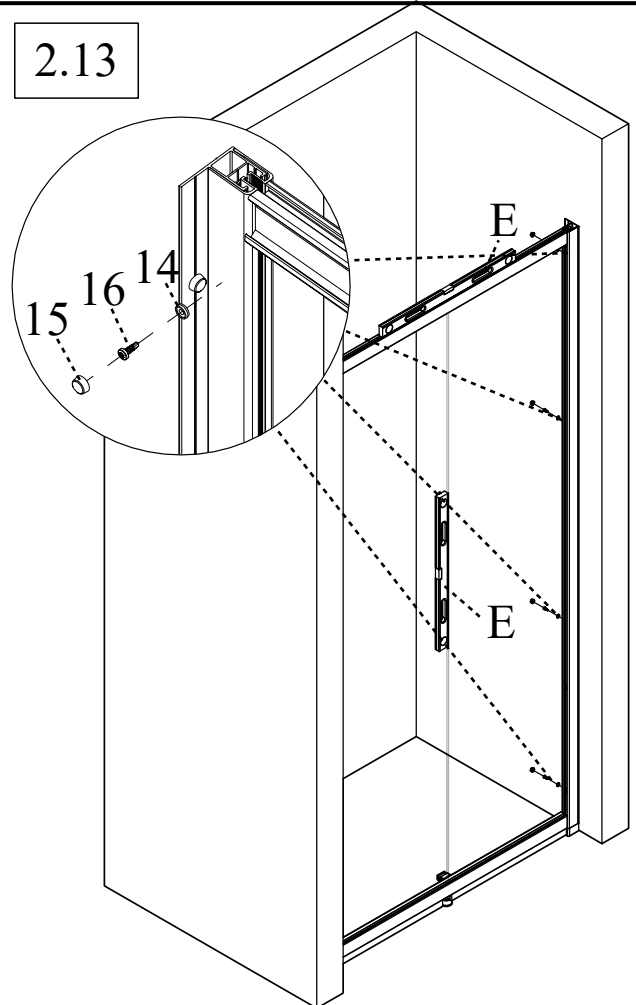
2.11



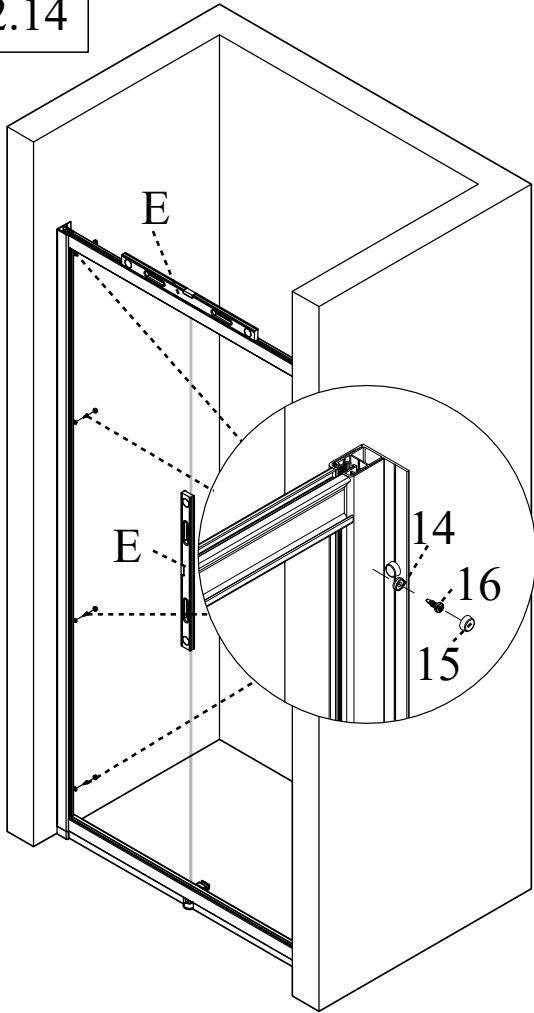
2.12



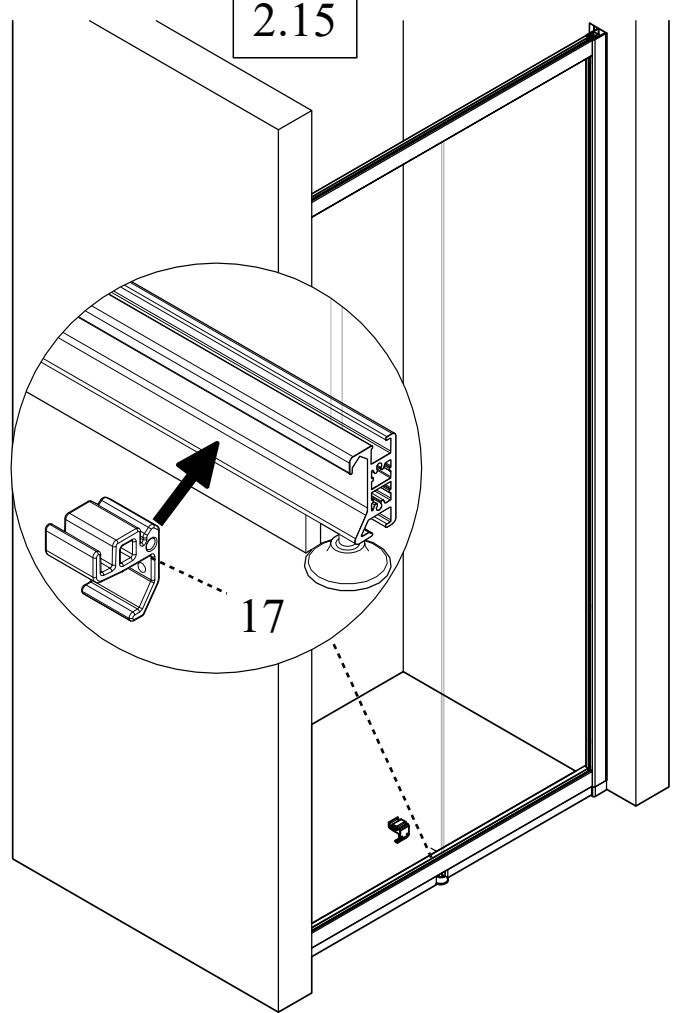
2.13



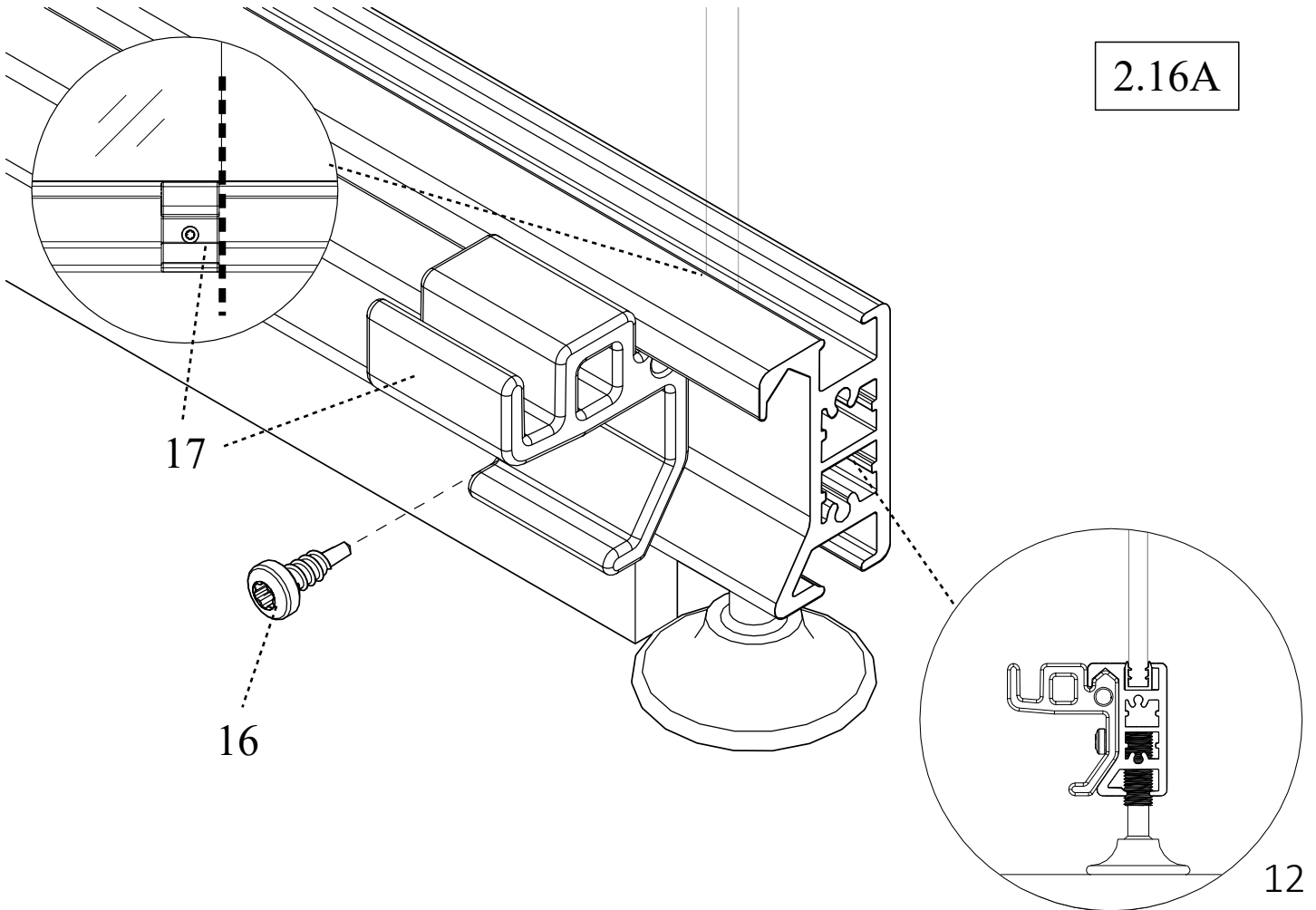
2.14



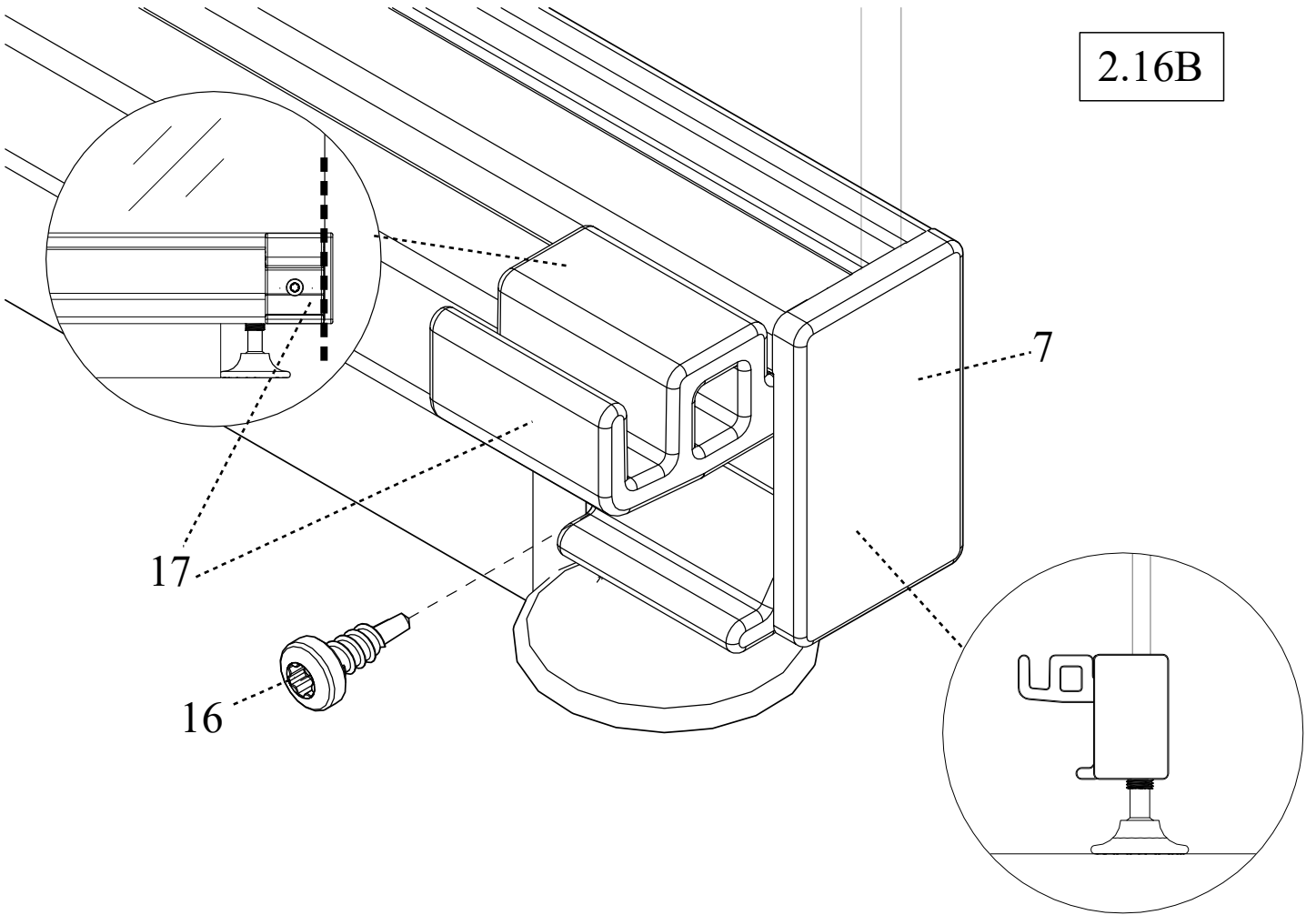
2.15



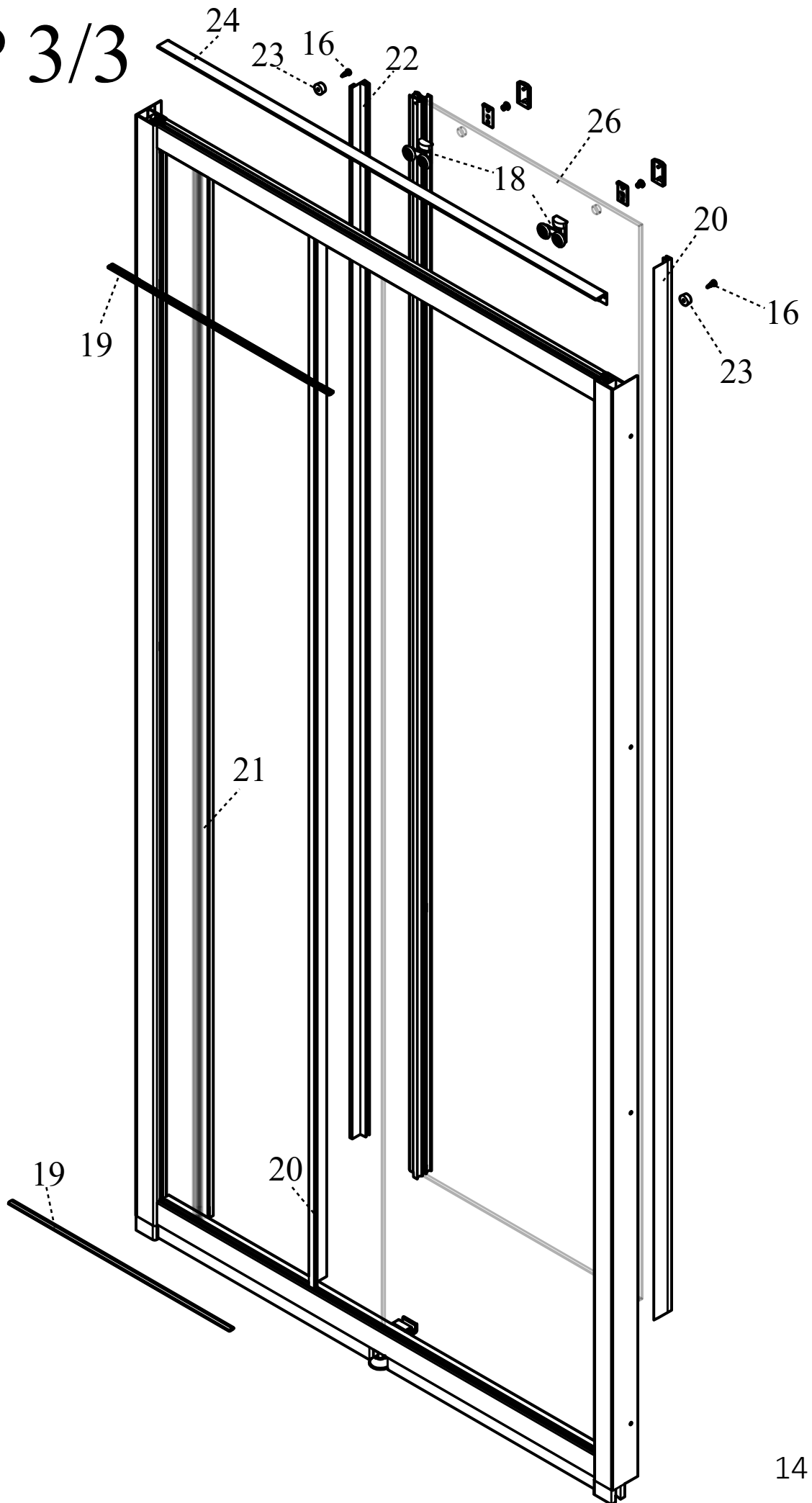
2.16A



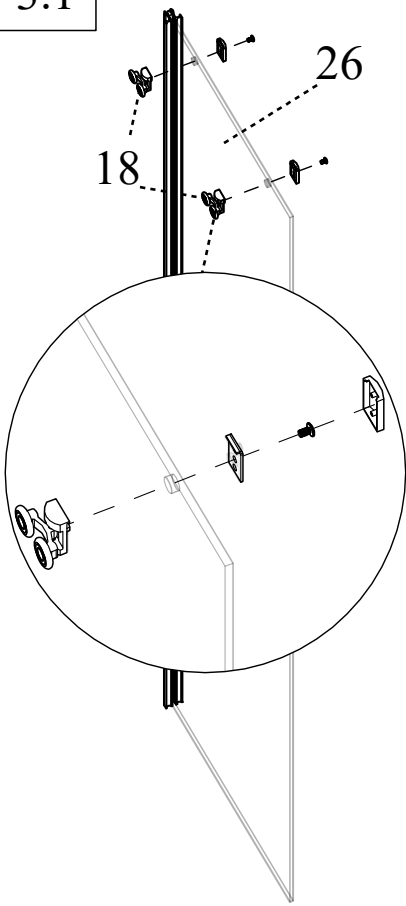
2.16B



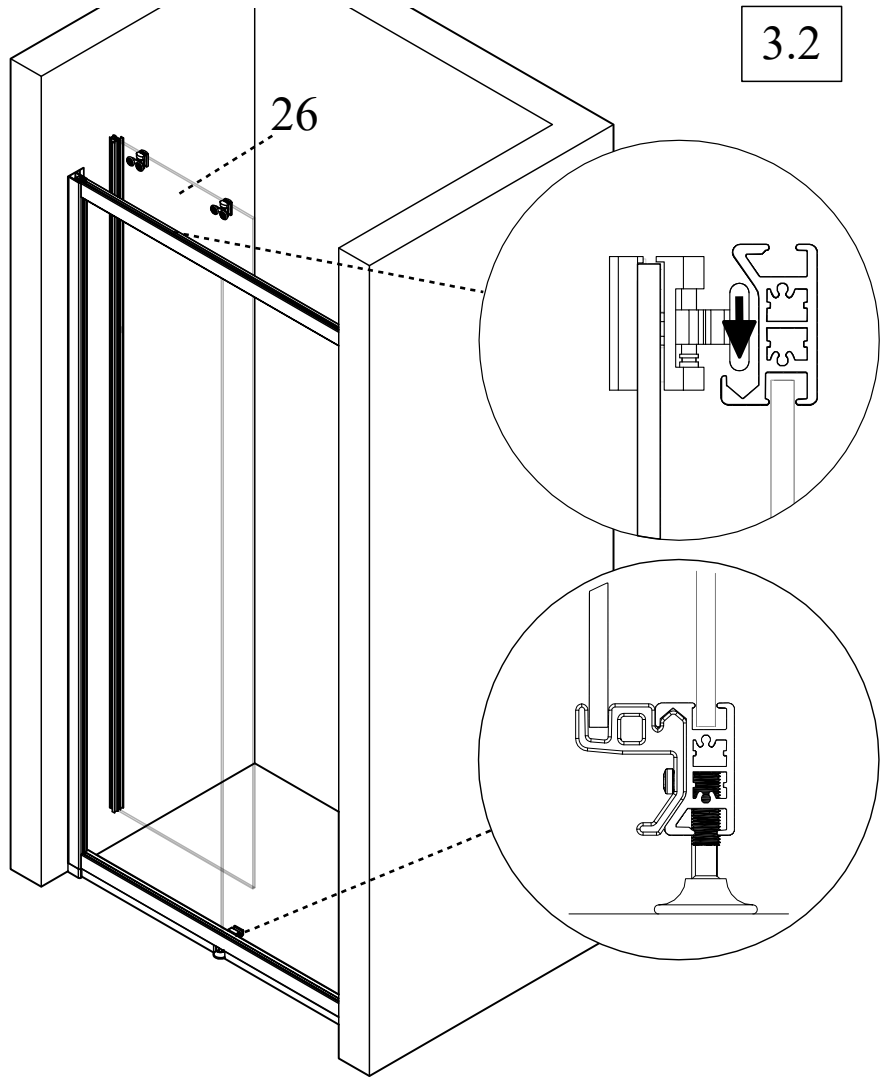
STEP 3/3



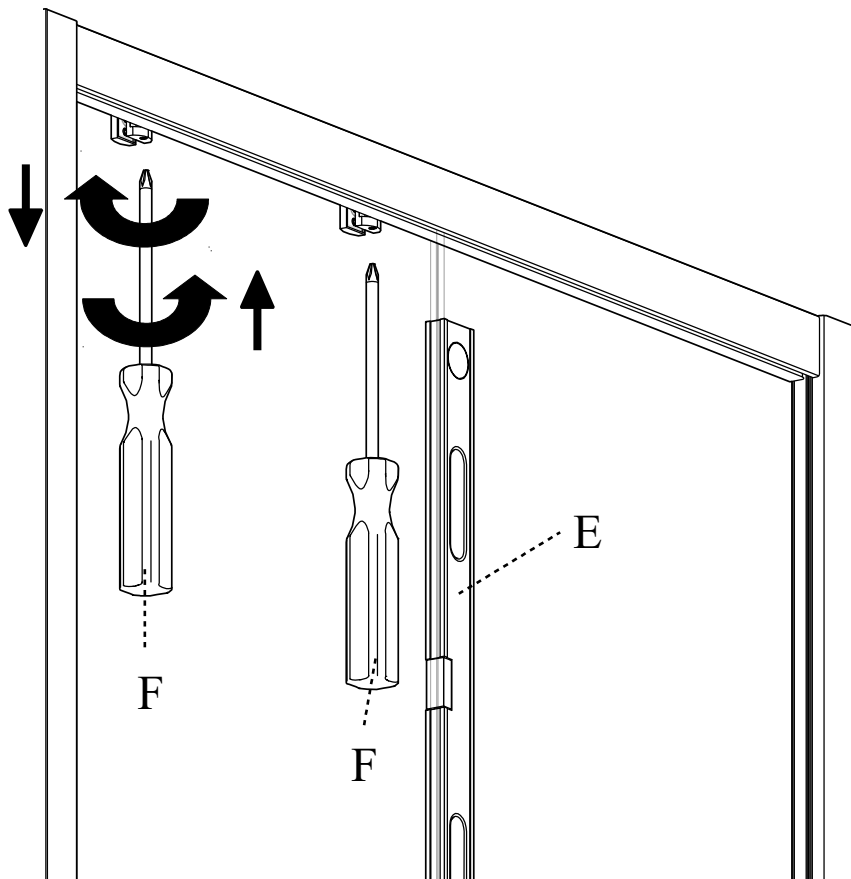
3.1

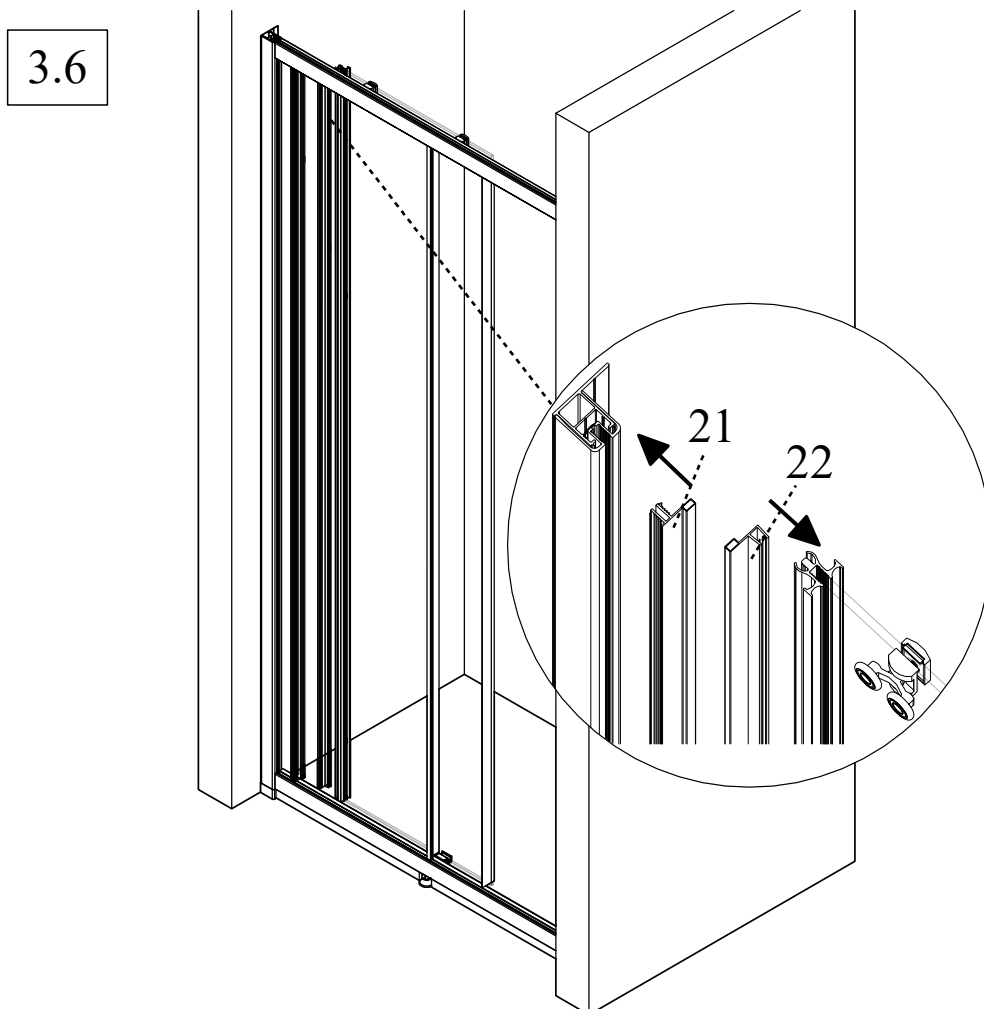
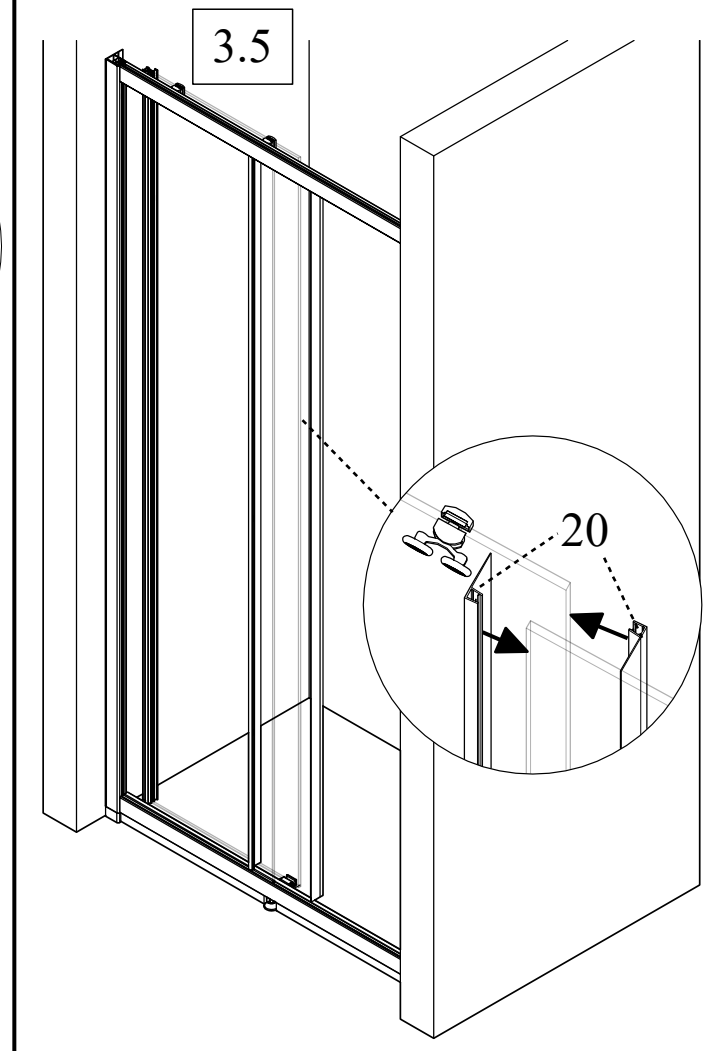
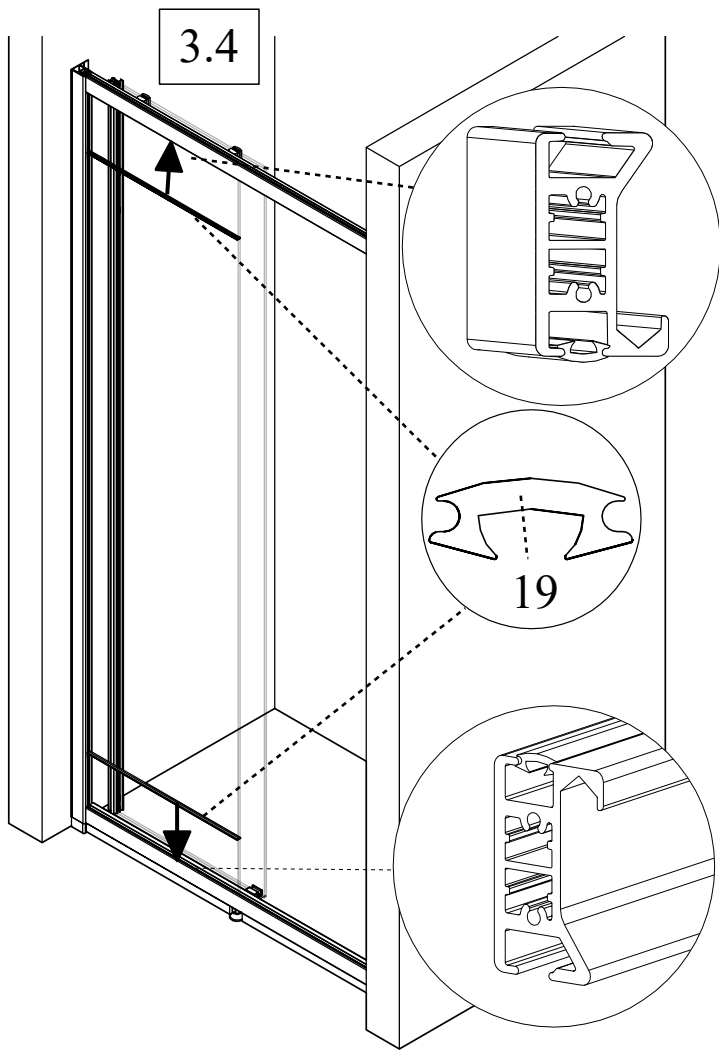


3.2

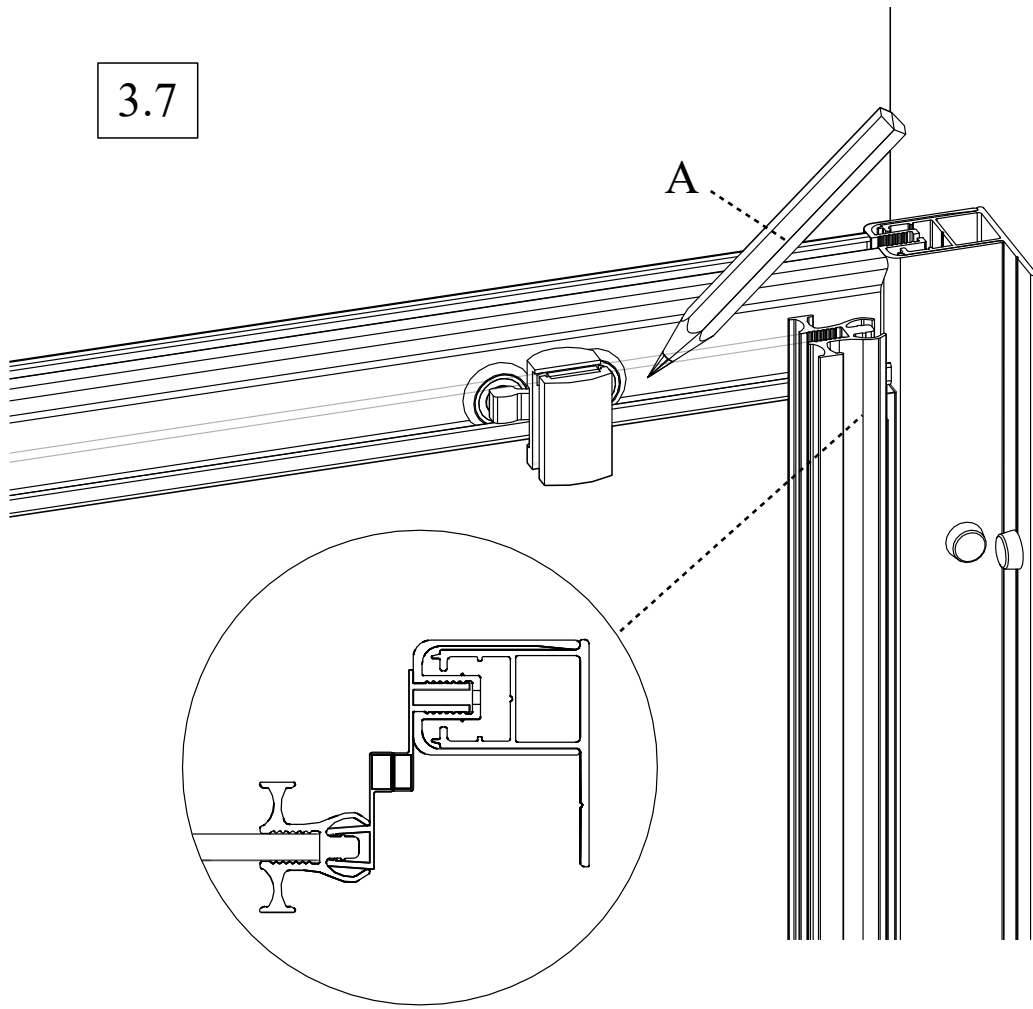


3.3

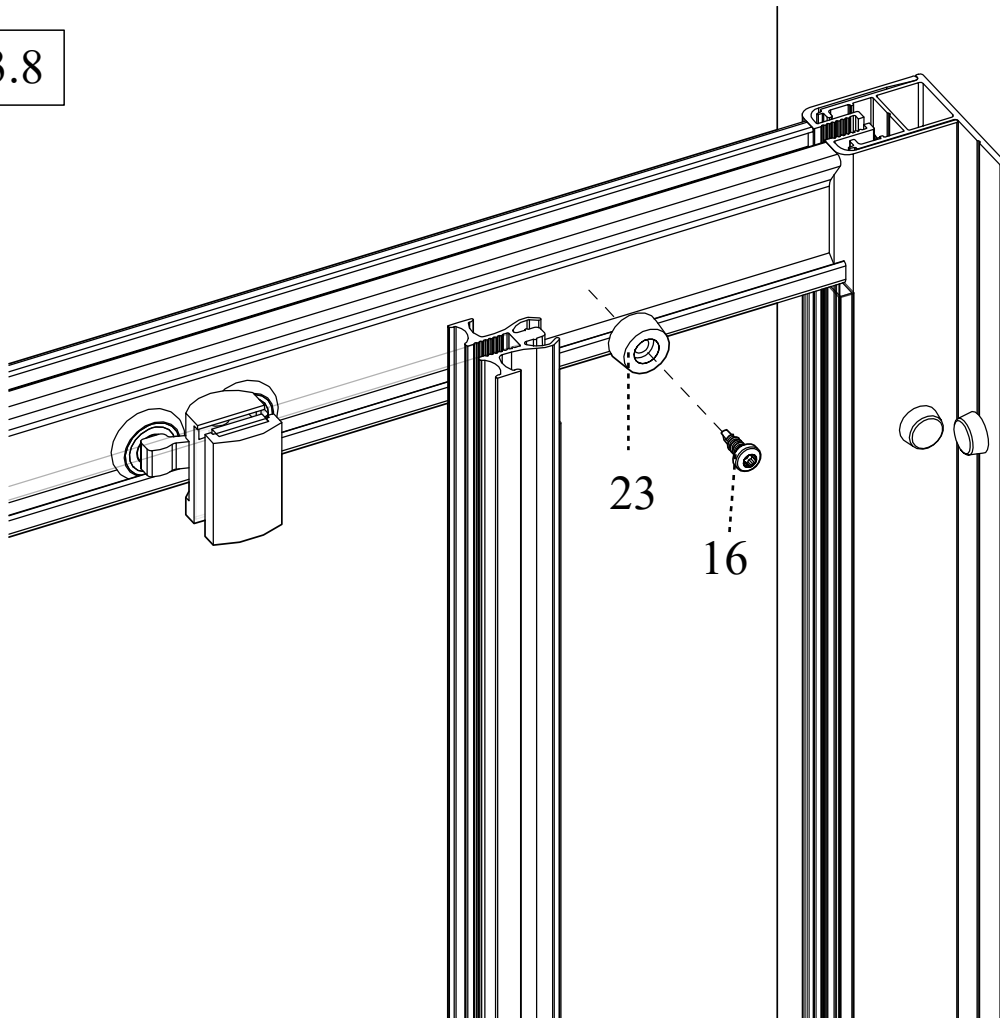




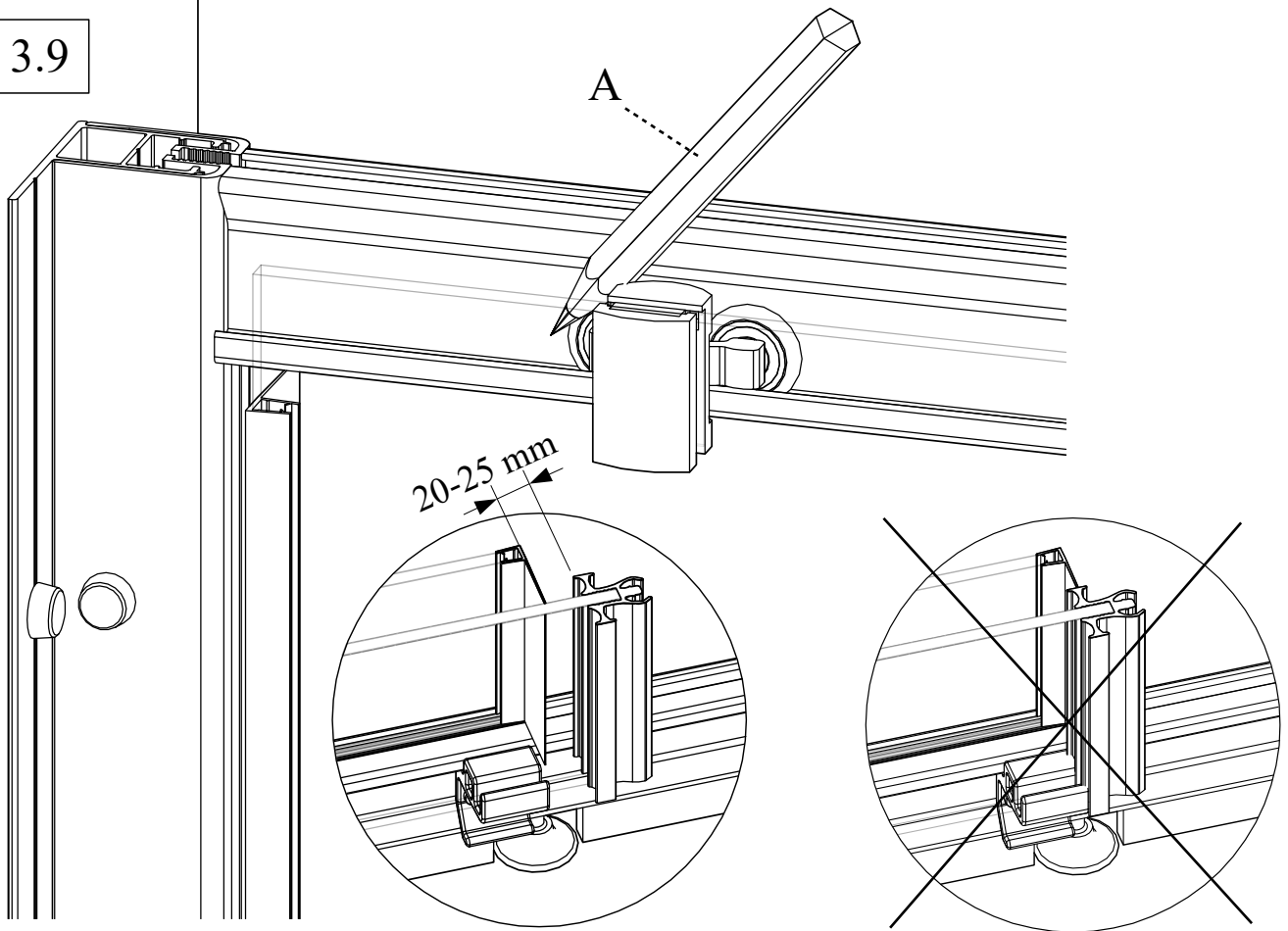
3.7



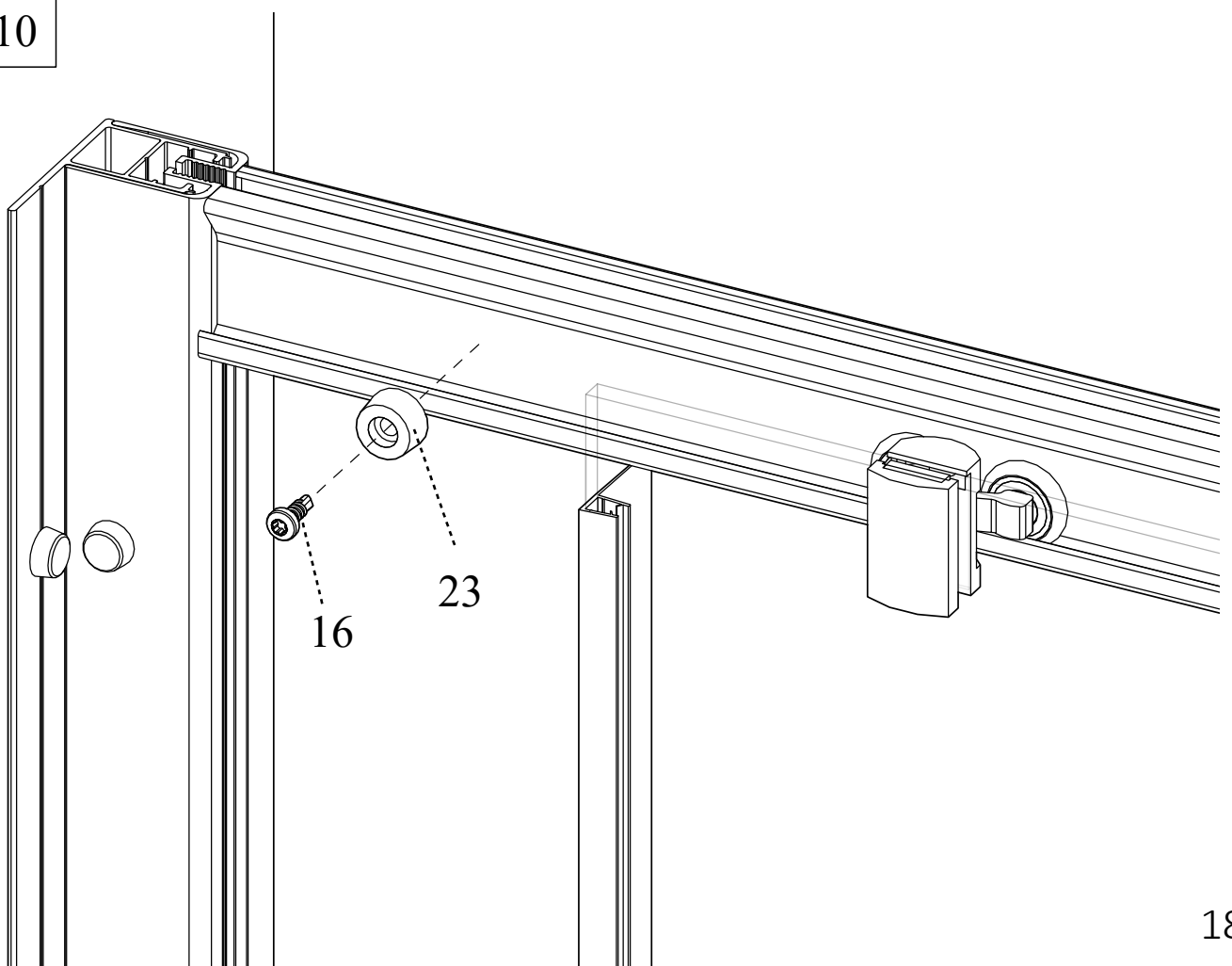
3.8



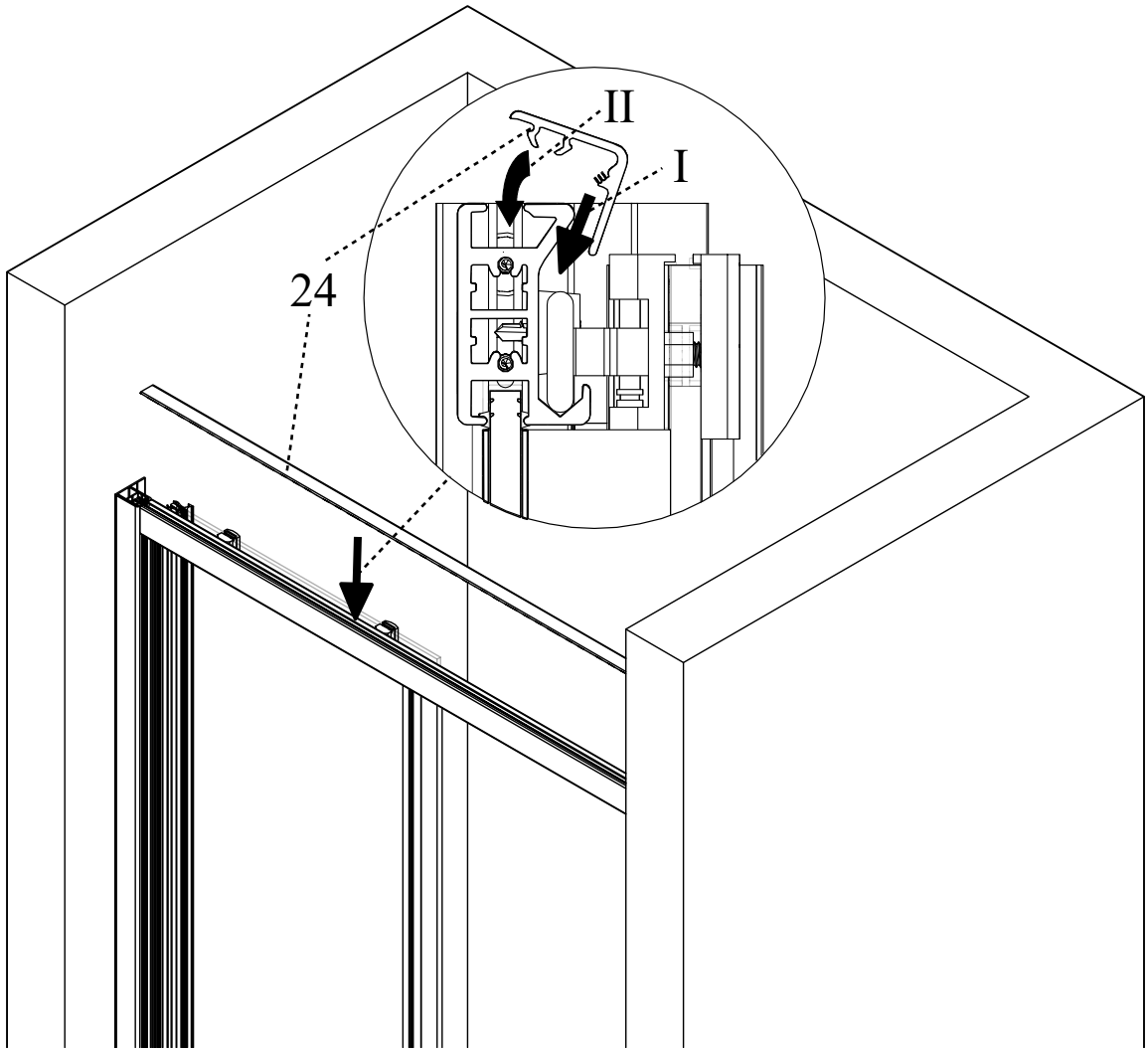
3.9



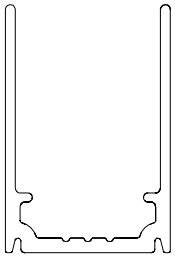
3.10



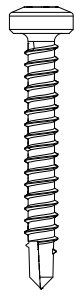
3.11



4. EXTRA

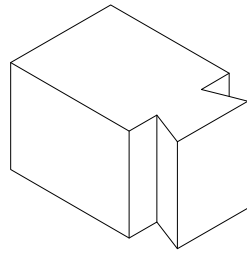


27. x2



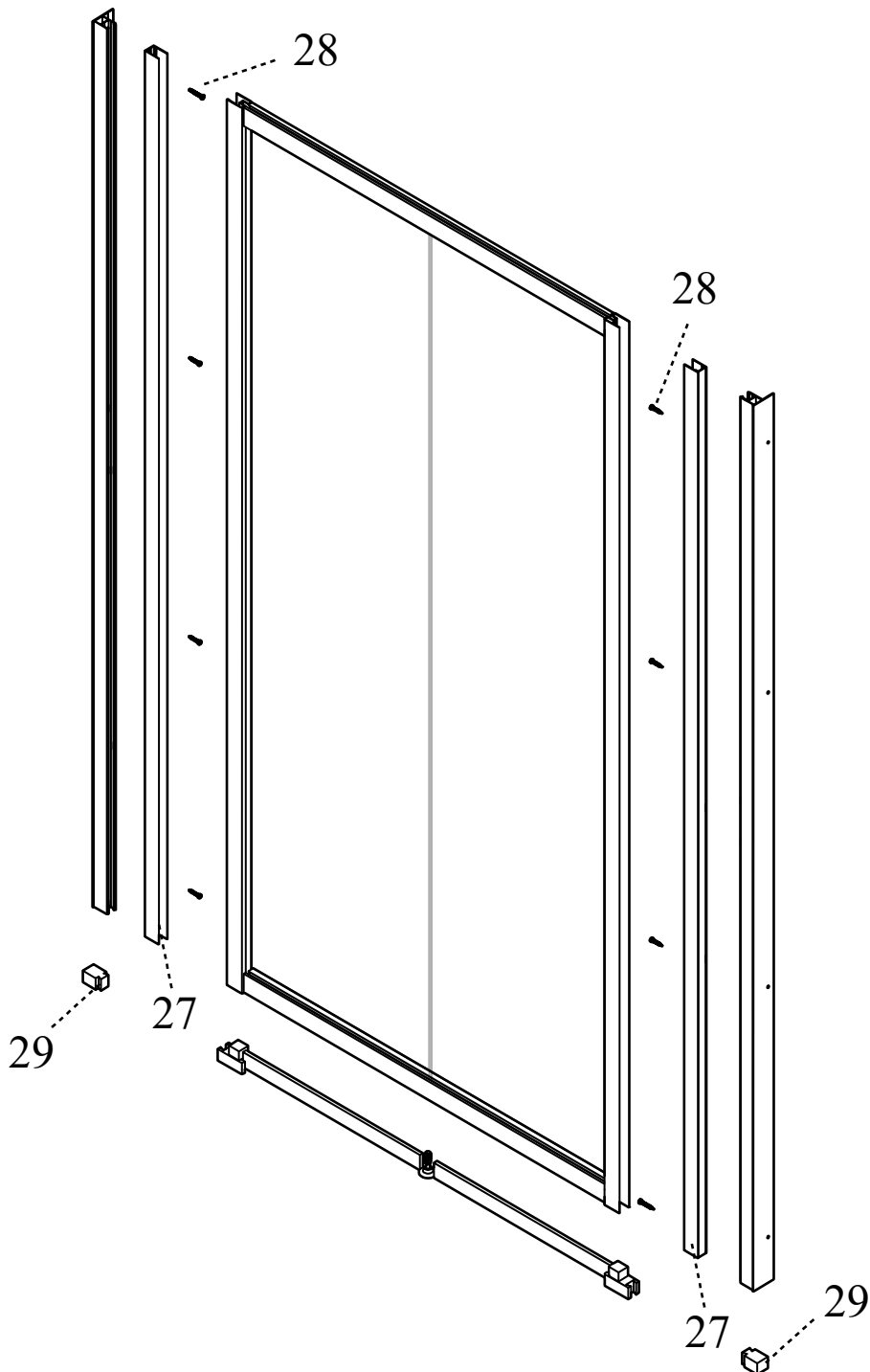
4/83 84RLM

28. 4.2x32 mm
x8

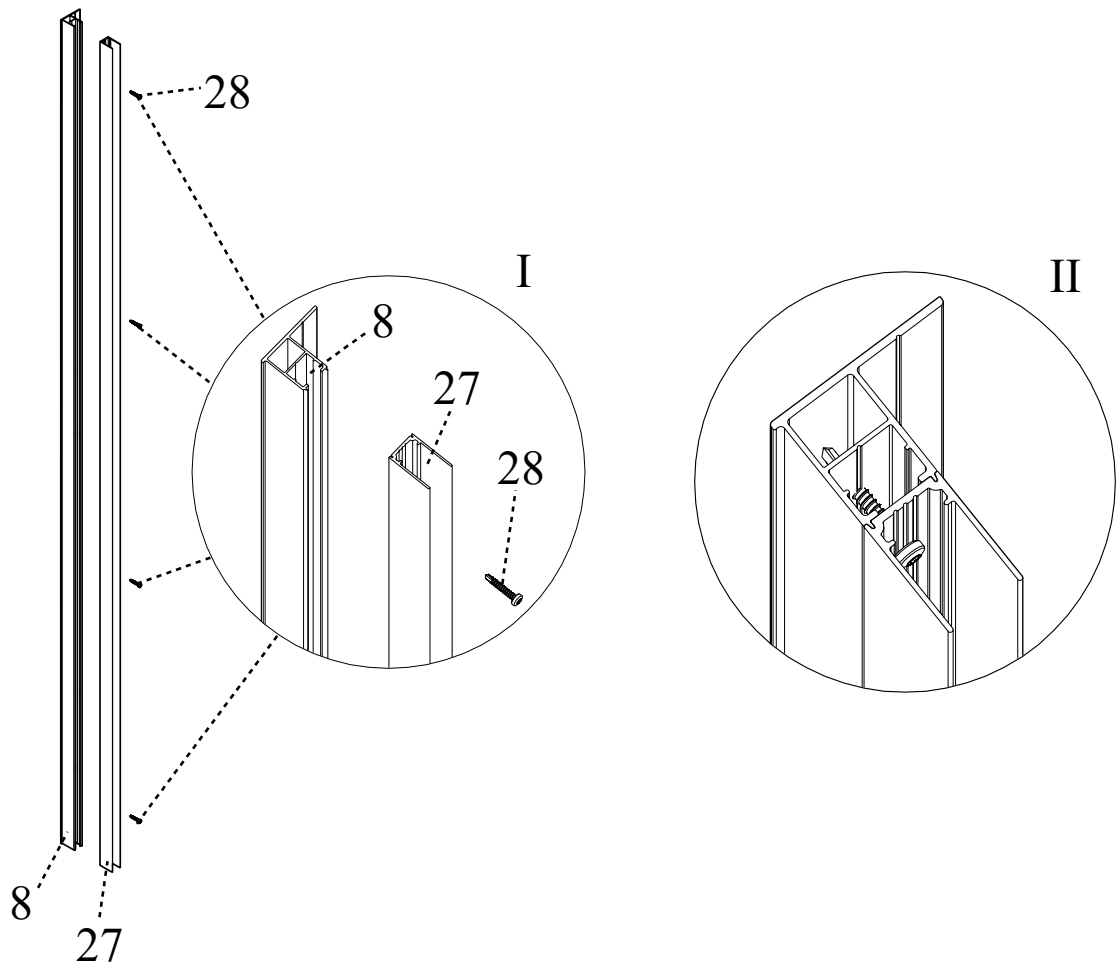


4/83 A3RLM

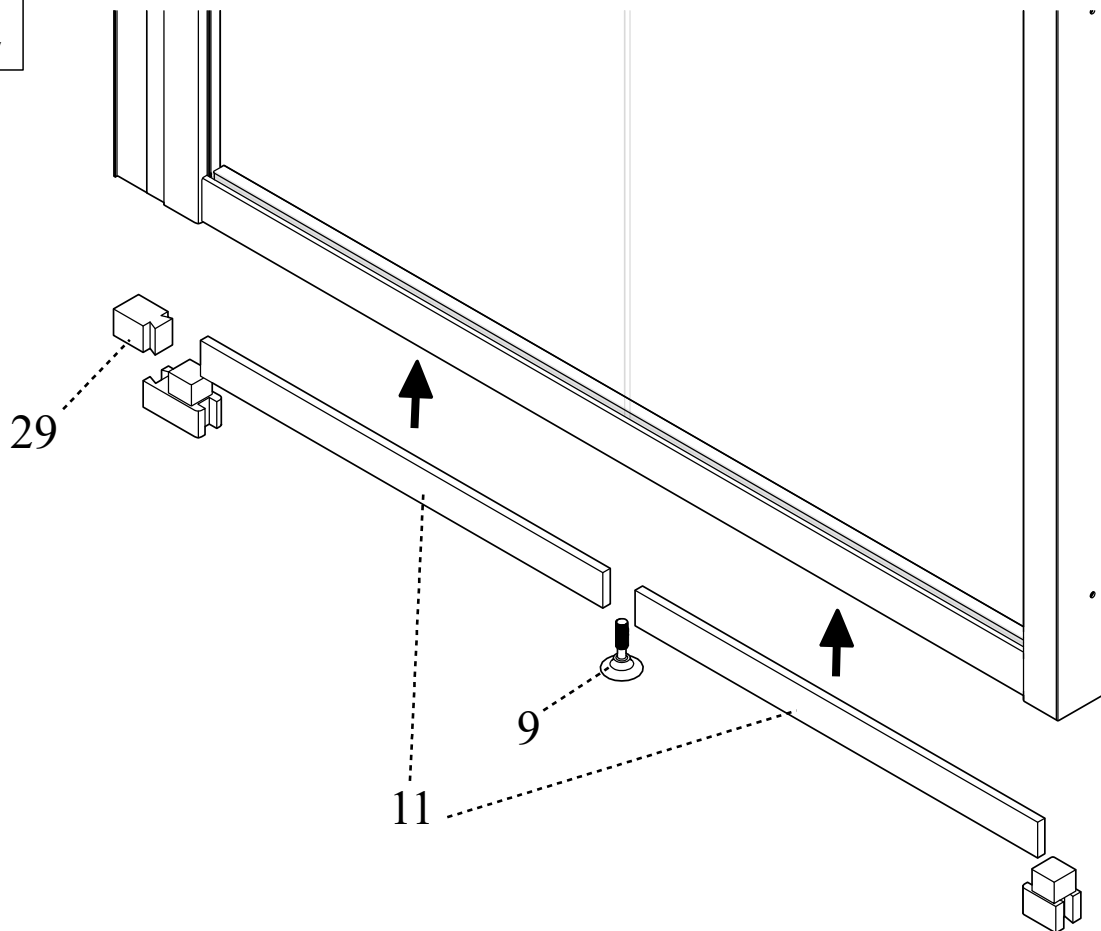
29. x2



4.1



4.2



4.3

