

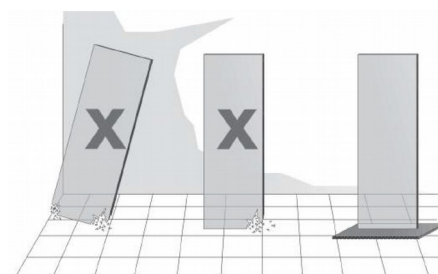
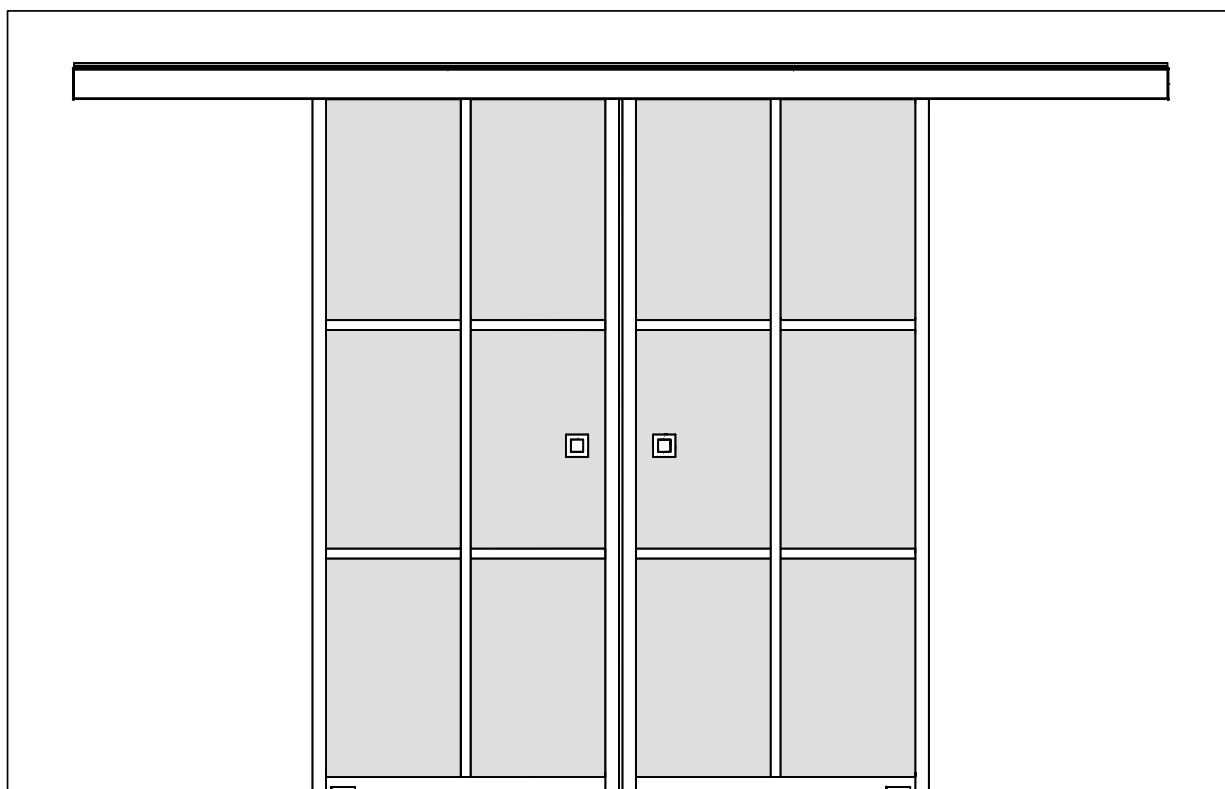


HIETAKARI®

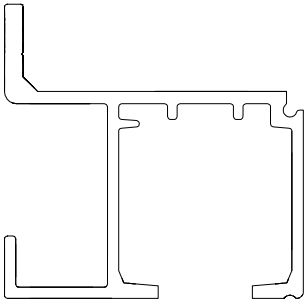


8/25 5ERLM

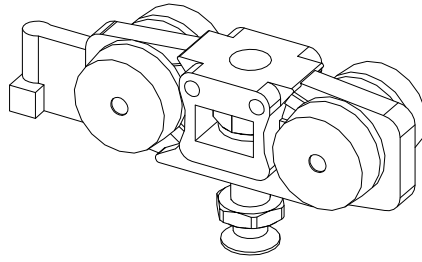
Bläk 872/873/874



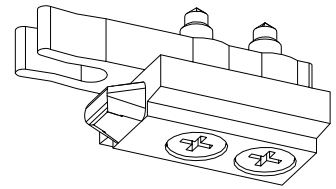
Parts



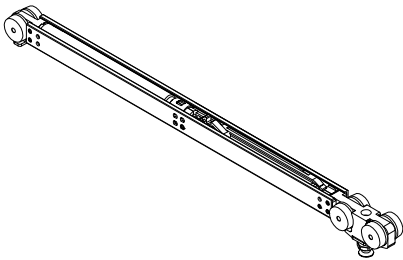
1. x1



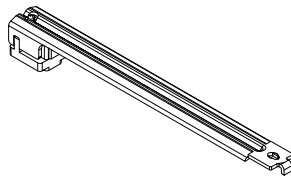
2. A x2
B x0



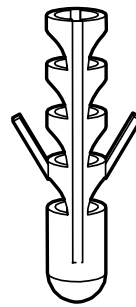
3. A x2
B x0



4. A x2
B x4



5. A x2
B x4

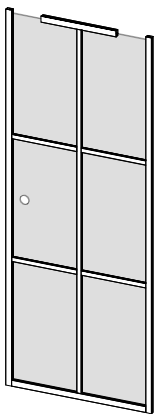


4/83 13RLM

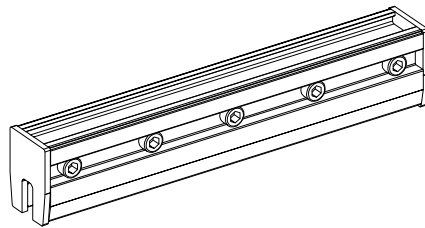


4/83 11RLM

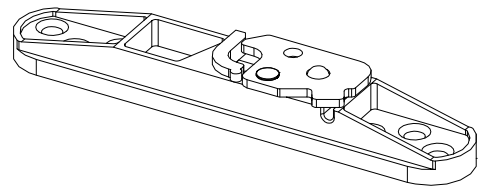
6. 6x30 mm 7. 3.5x39 mm



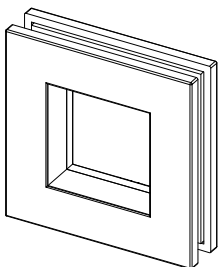
8. x2



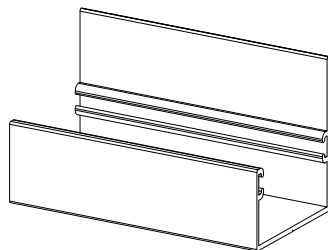
9. x4



10. x4



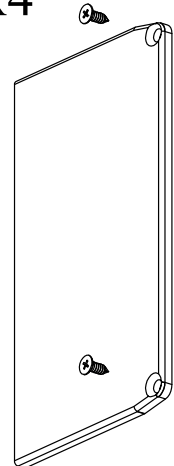
11. x2



12. x2

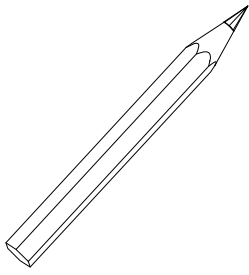


13. x1

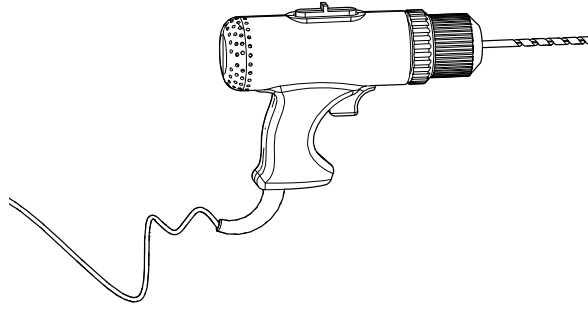


14 x2

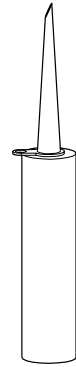
Tools



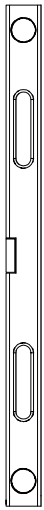
A



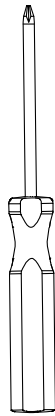
Ø6 mm
B



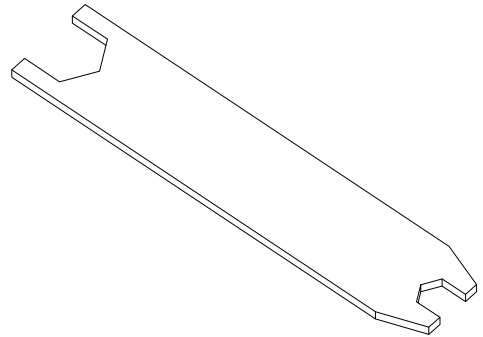
C – Silicone
D – Glue



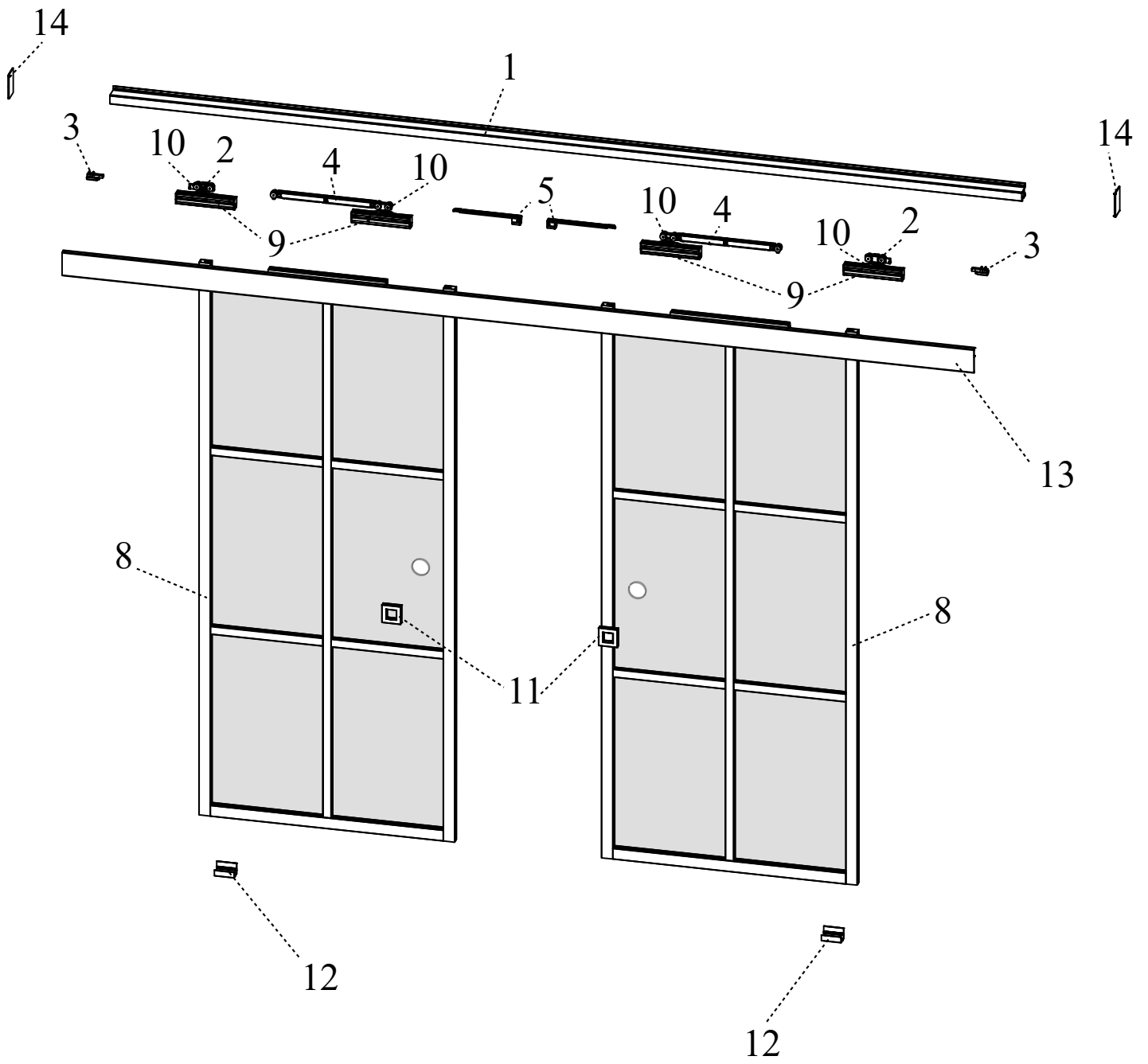
E



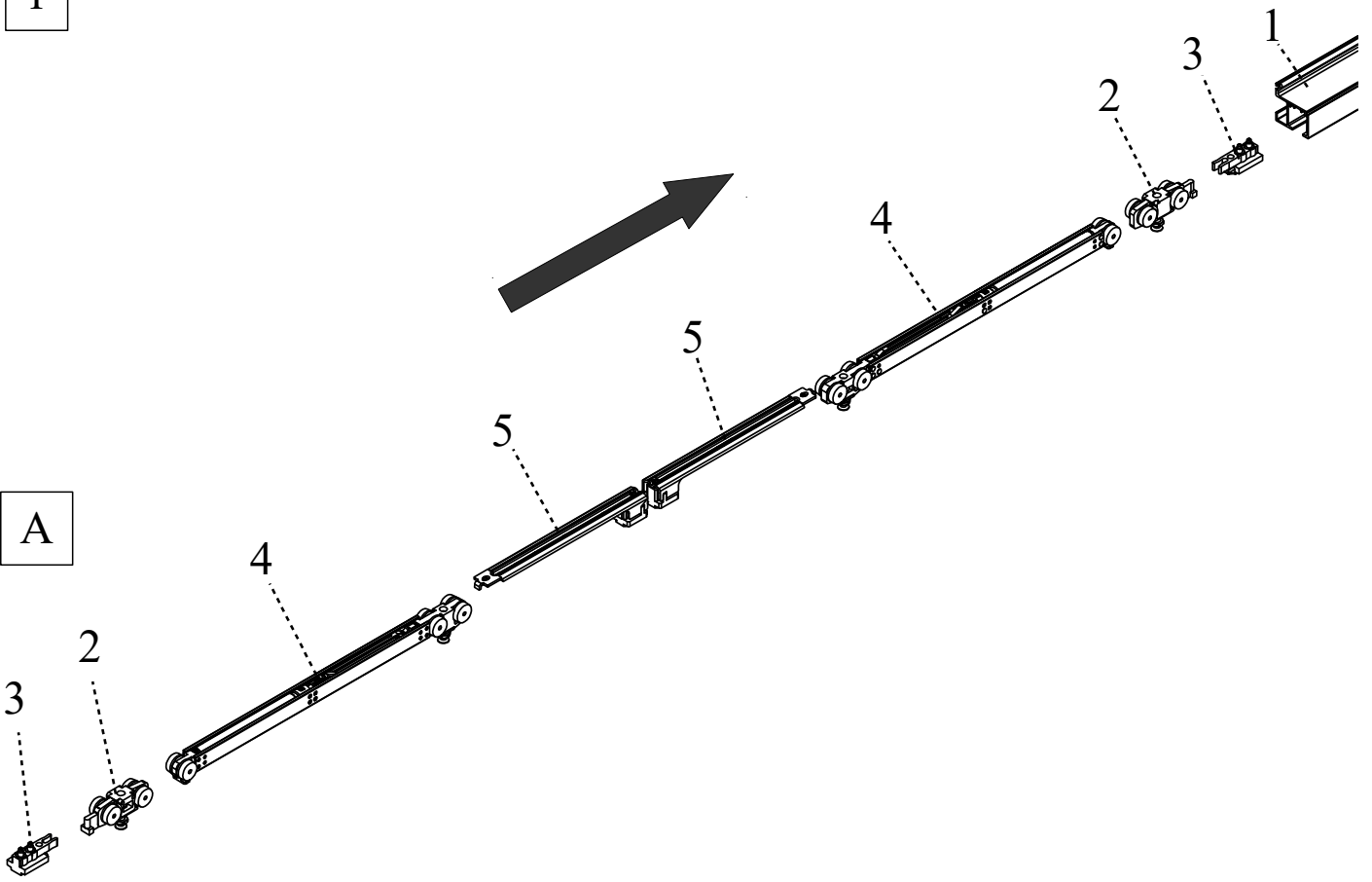
F



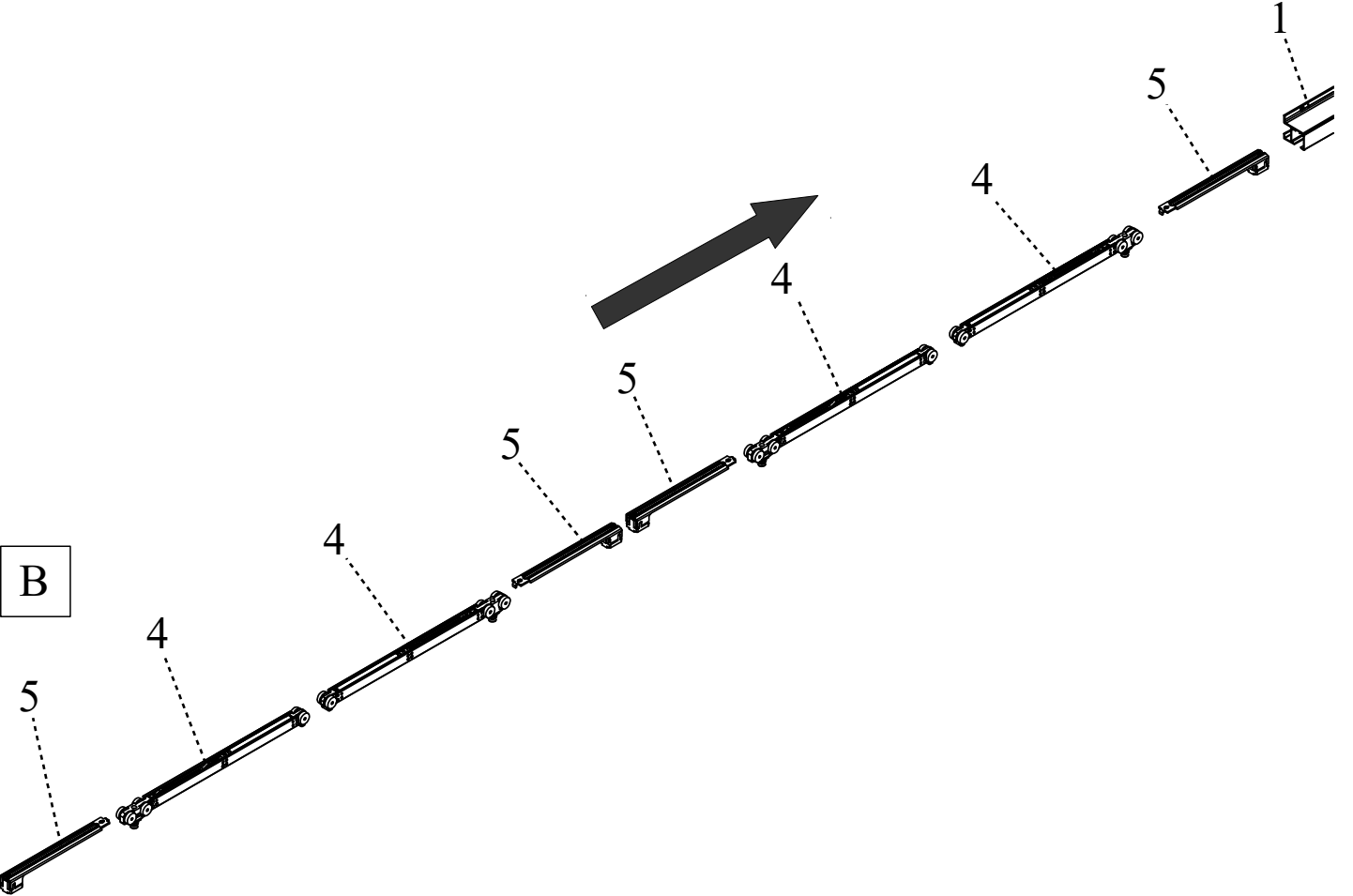
G



1

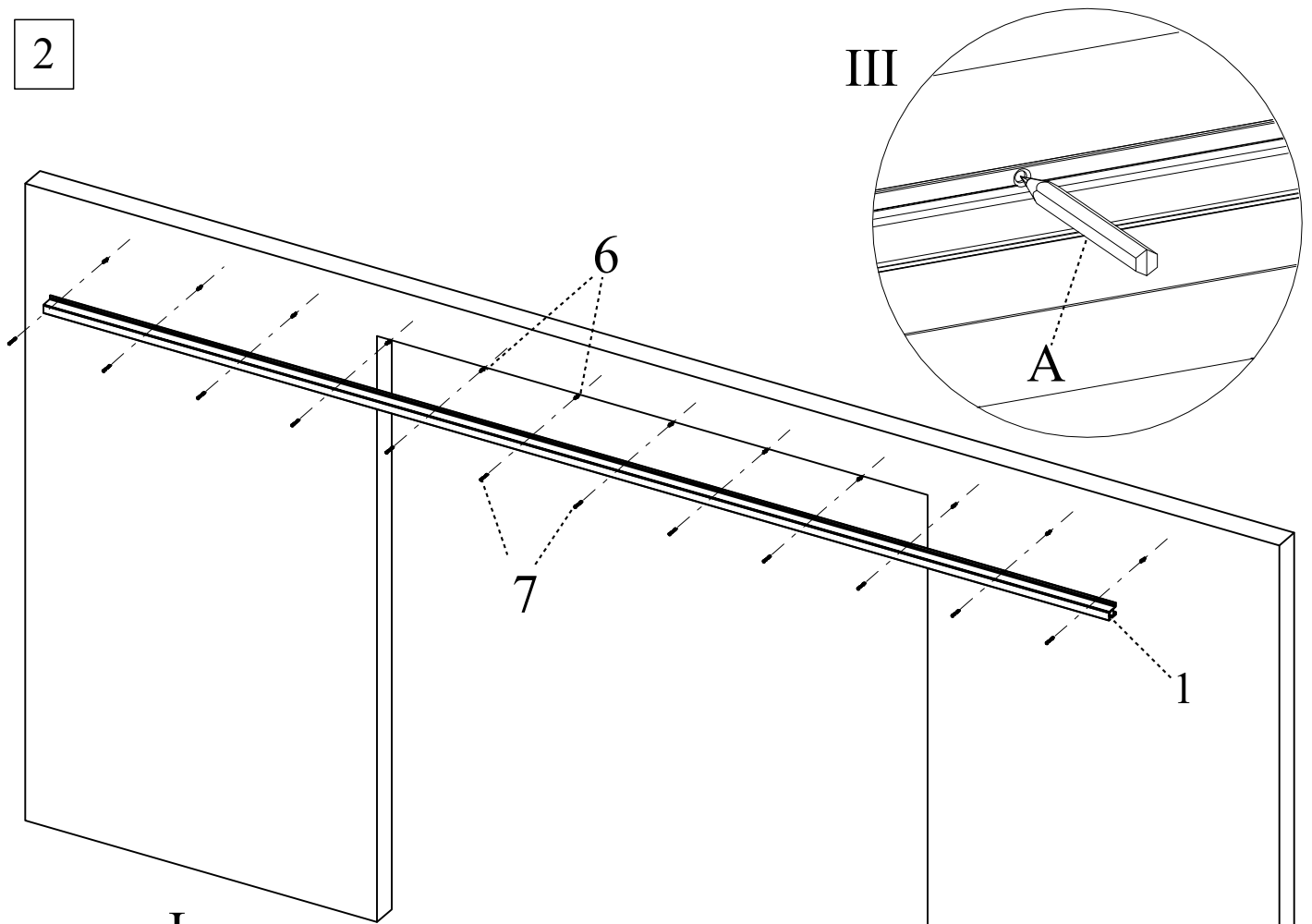


A

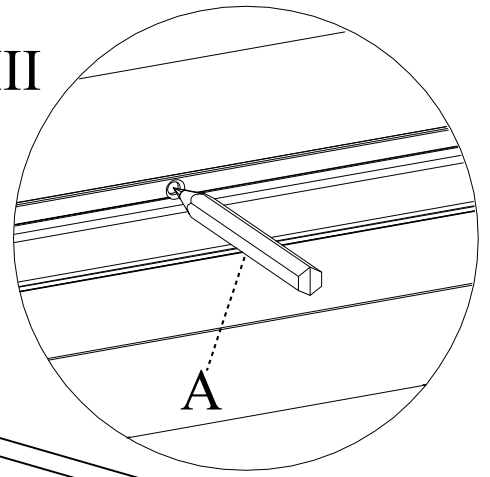


B

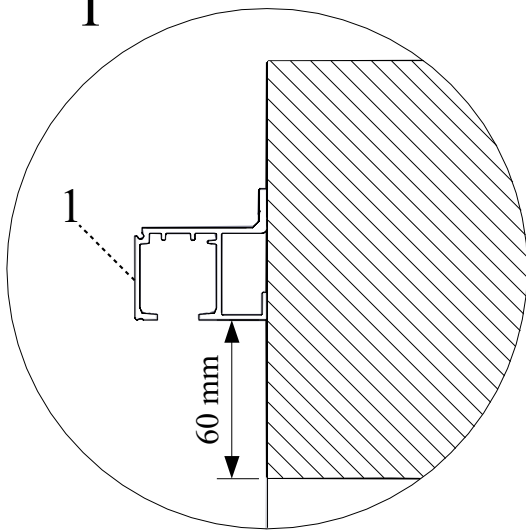
2



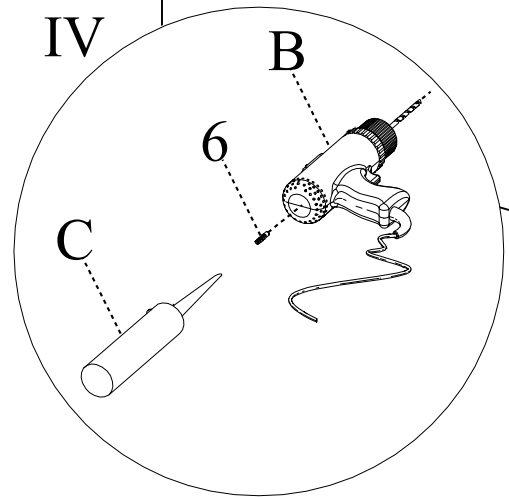
III



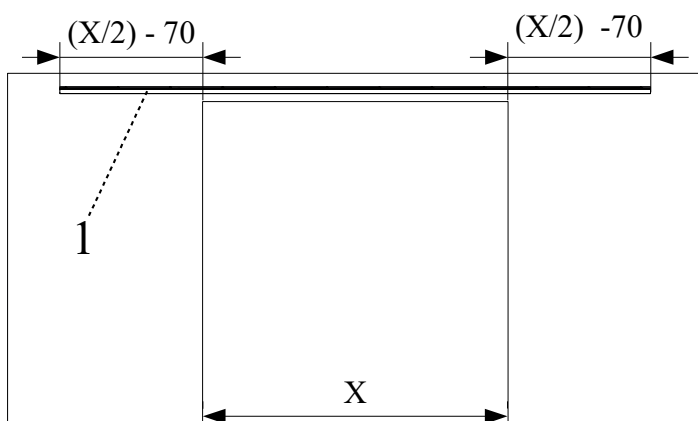
I



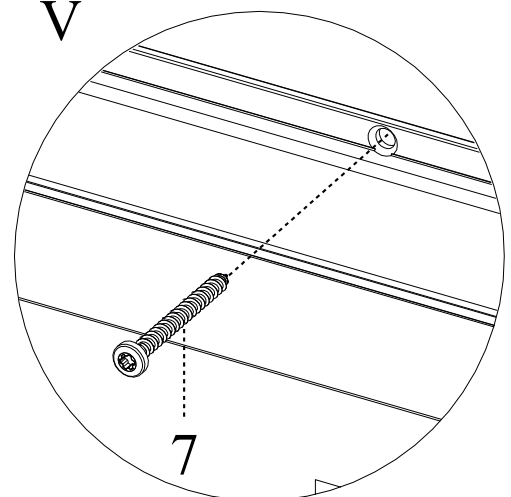
IV



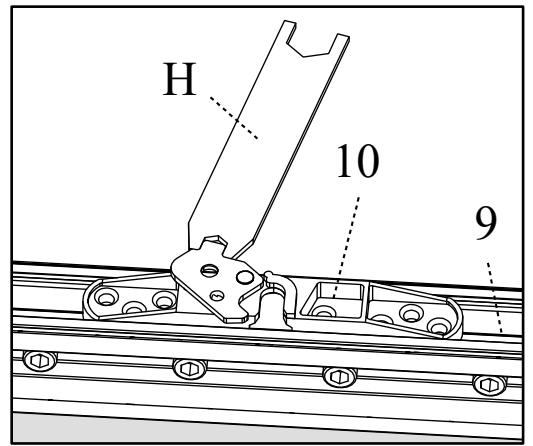
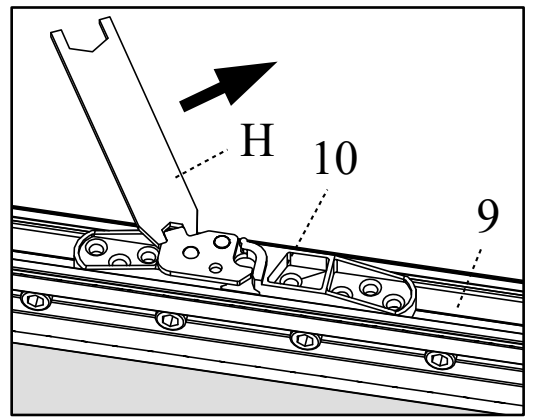
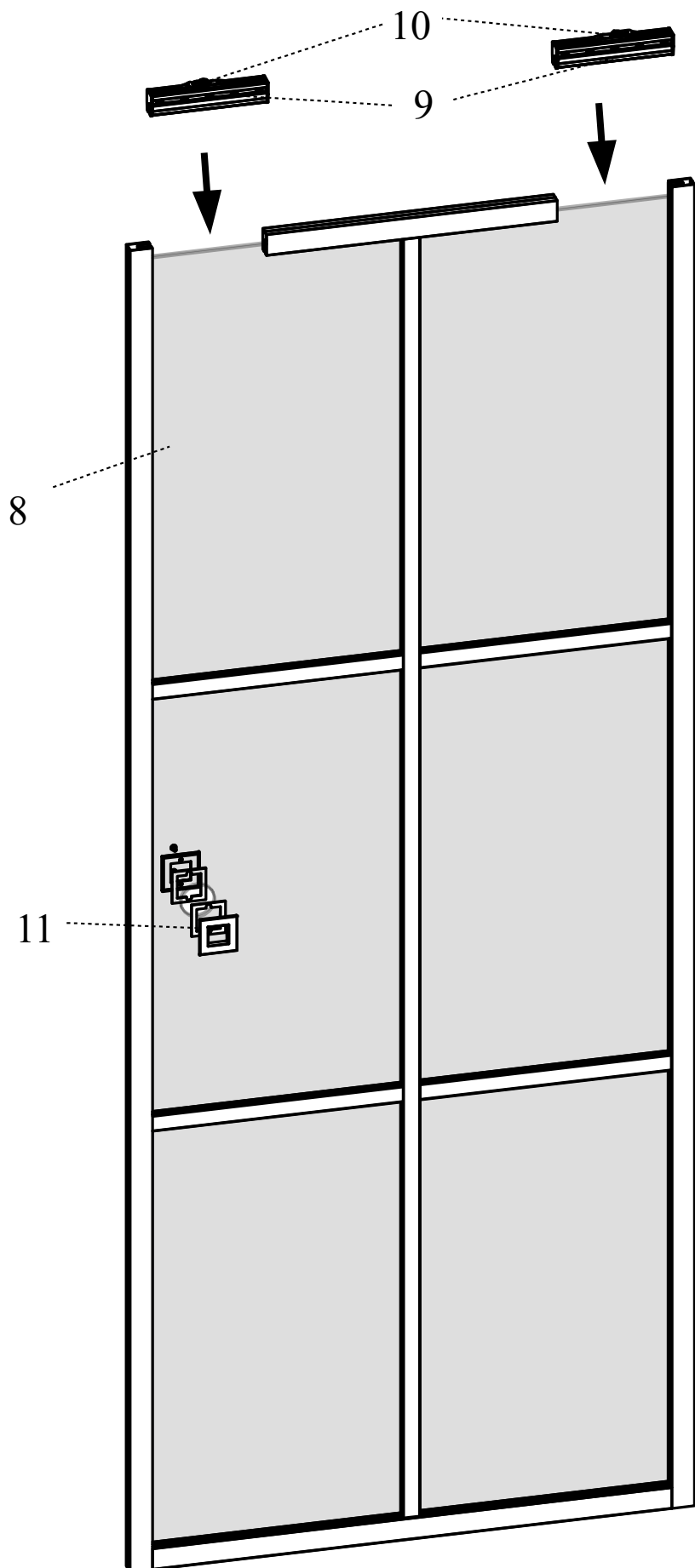
II



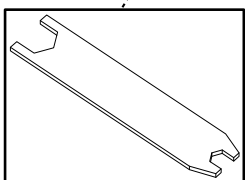
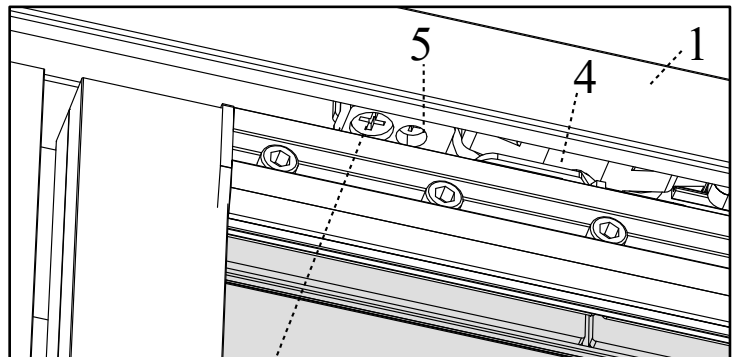
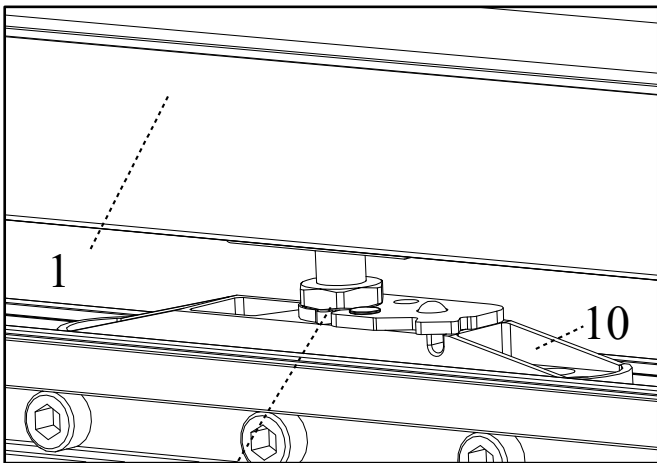
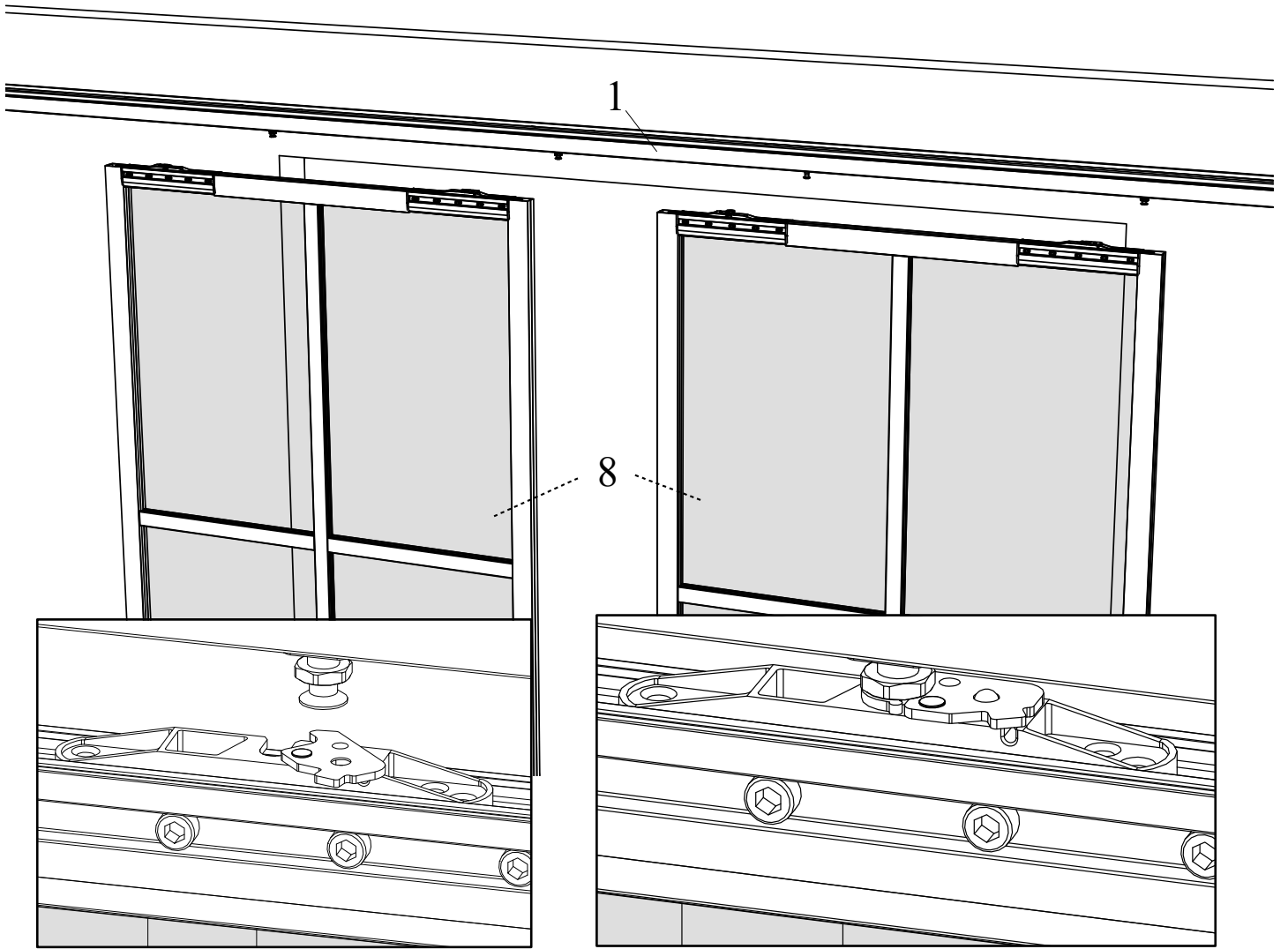
V



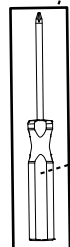
3



4

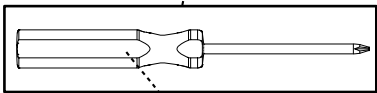
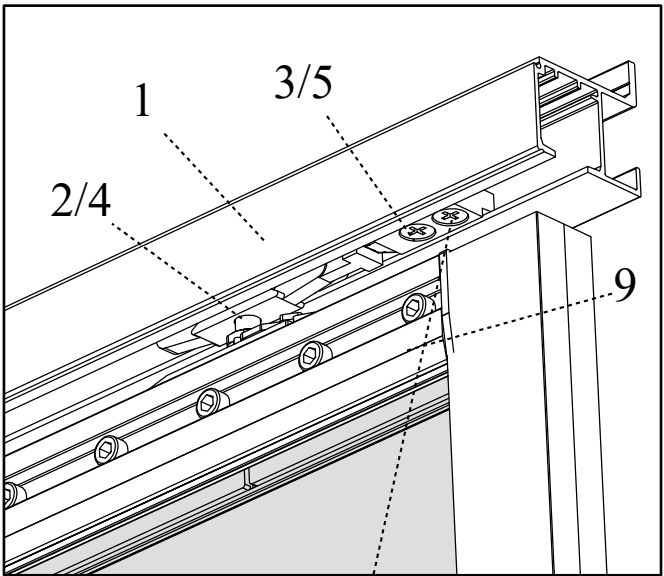
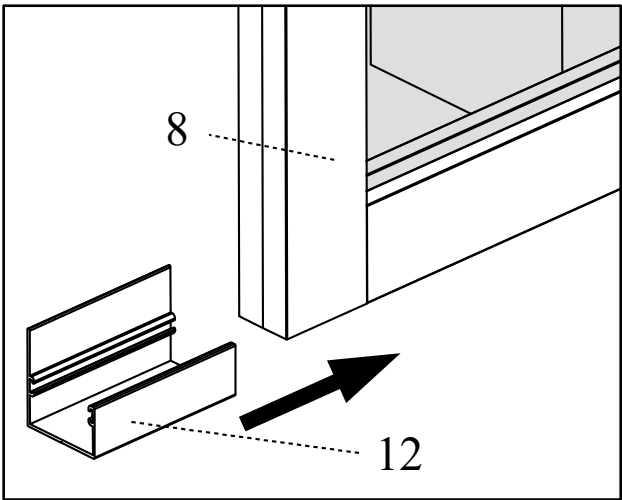
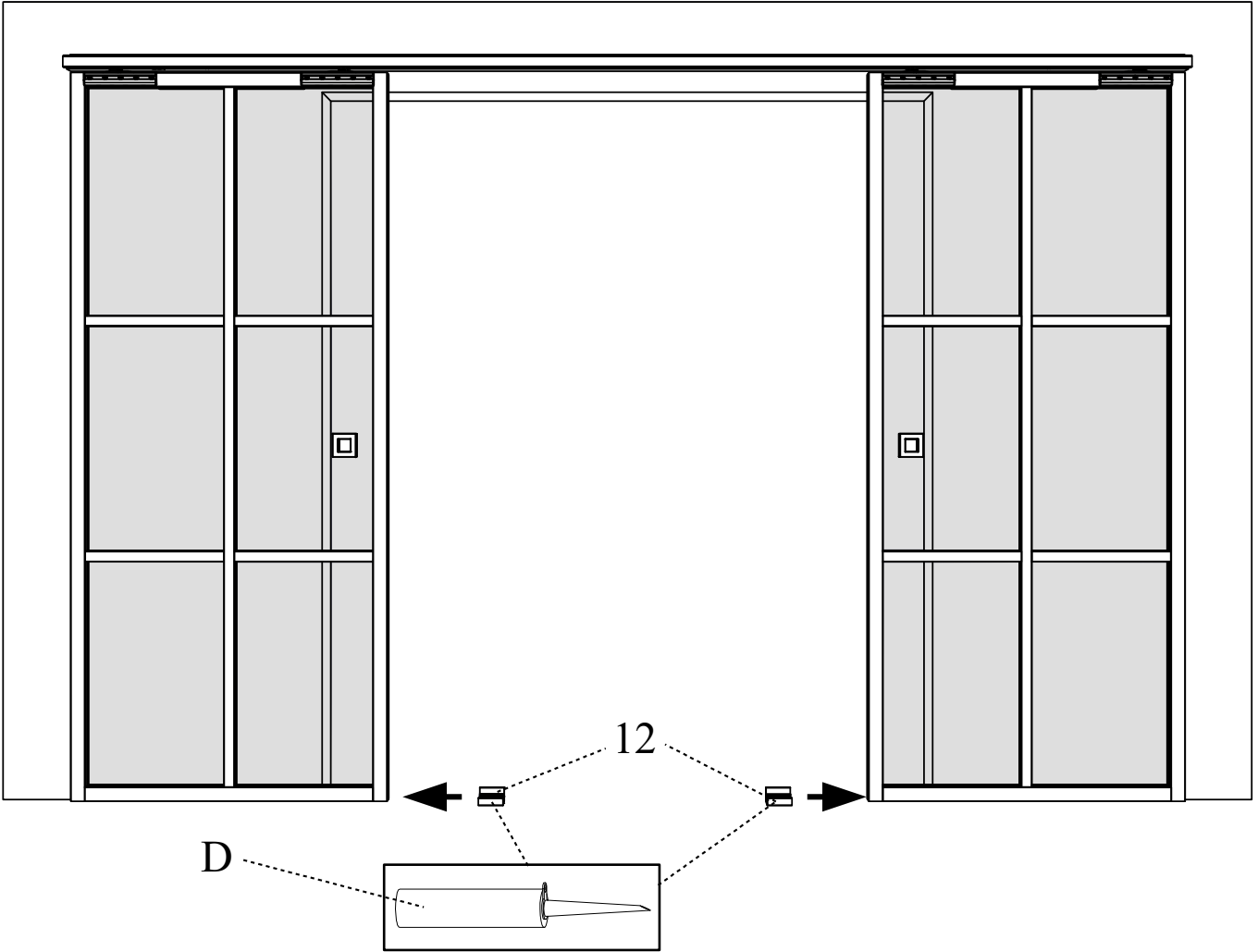


3 mm



F

5



F

6

