

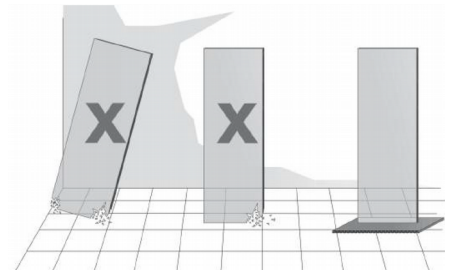
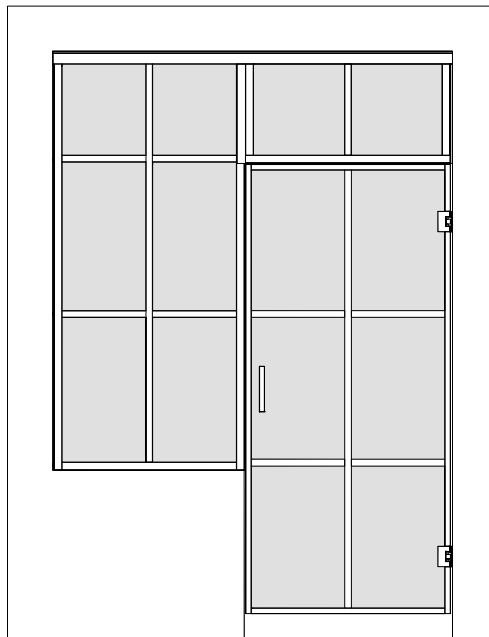
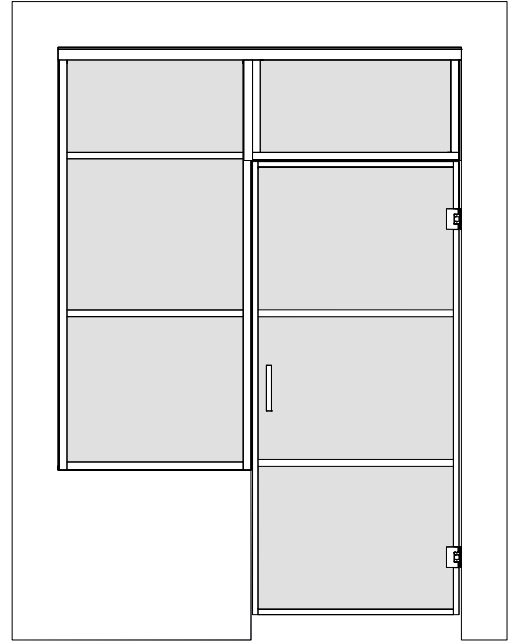
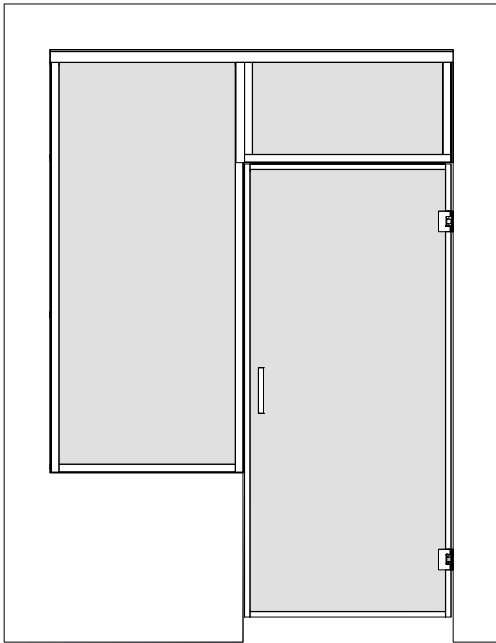


# HIETAKARI

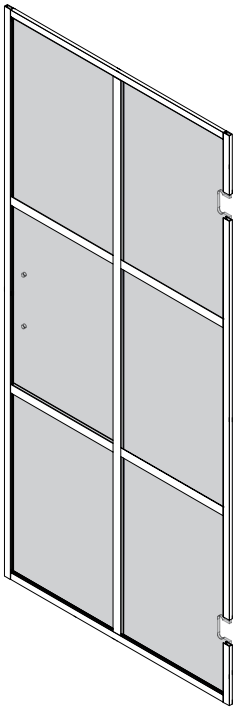


8/25 5MRLM

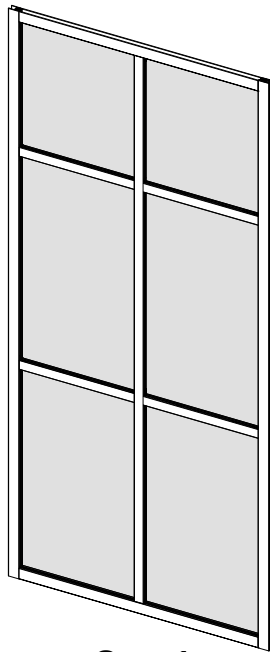
## 685 / 686 / 687



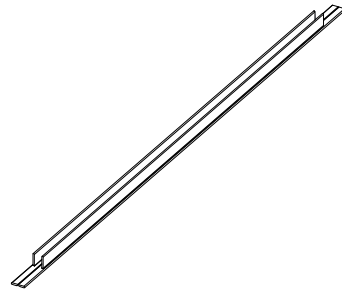
# Parts



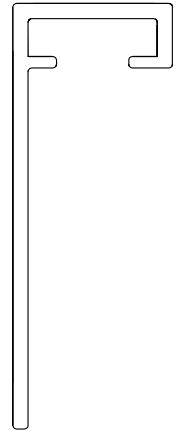
1. x1



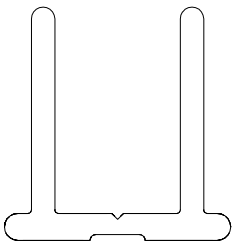
2. x1



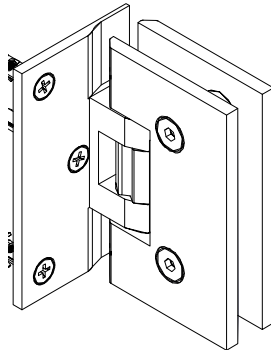
3. x1



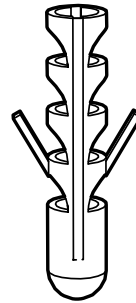
4. x2



5. x1

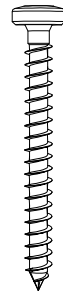


6. x2



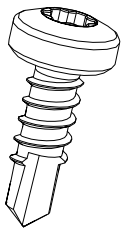
4/83 13RLM

7. 6x25mm

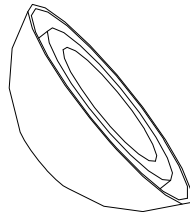


4/83 11RLM

8. 3.5x39mm



9. 4.2x13 mm



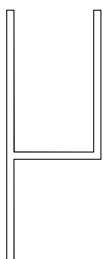
10.



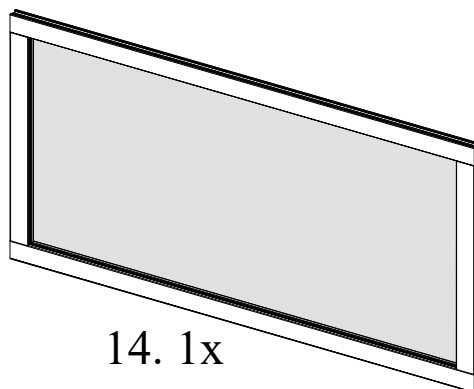
11. x2



12. x2

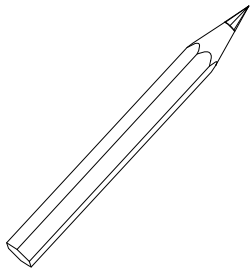


13. 1x

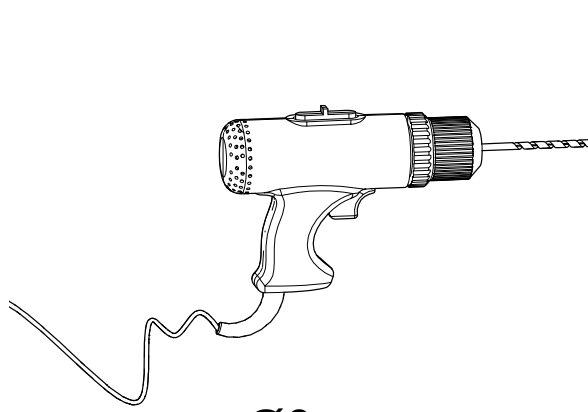


14. 1x

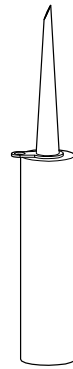
# Tools



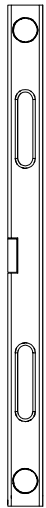
A



Ø6  
B

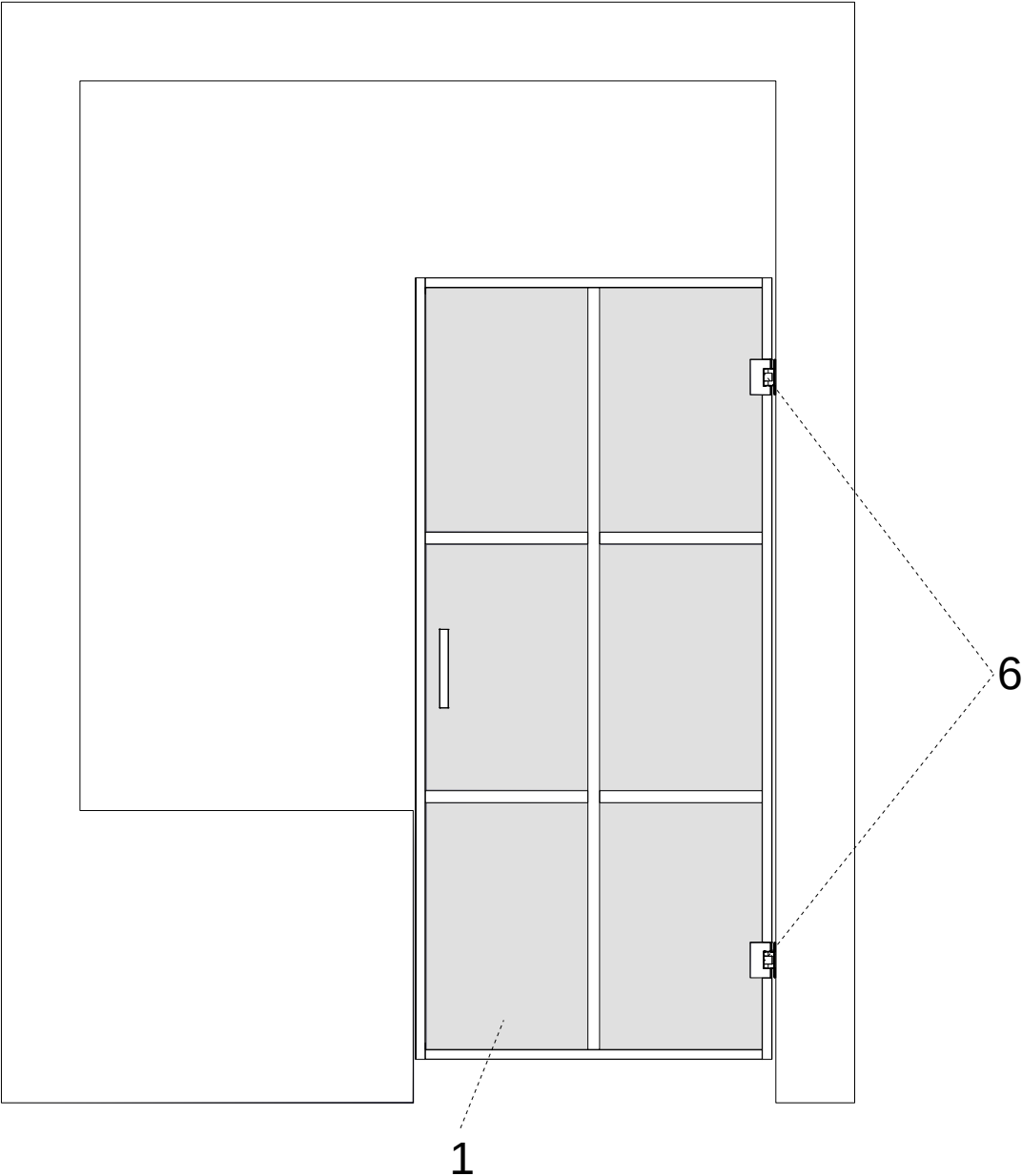
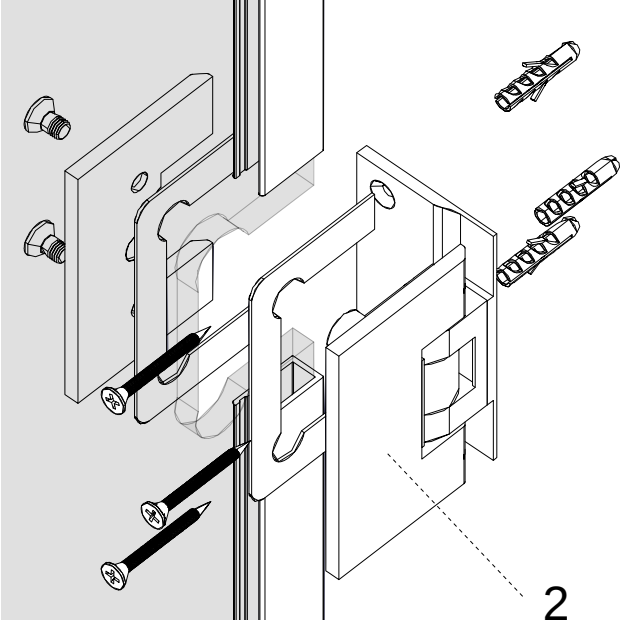


C – Glue

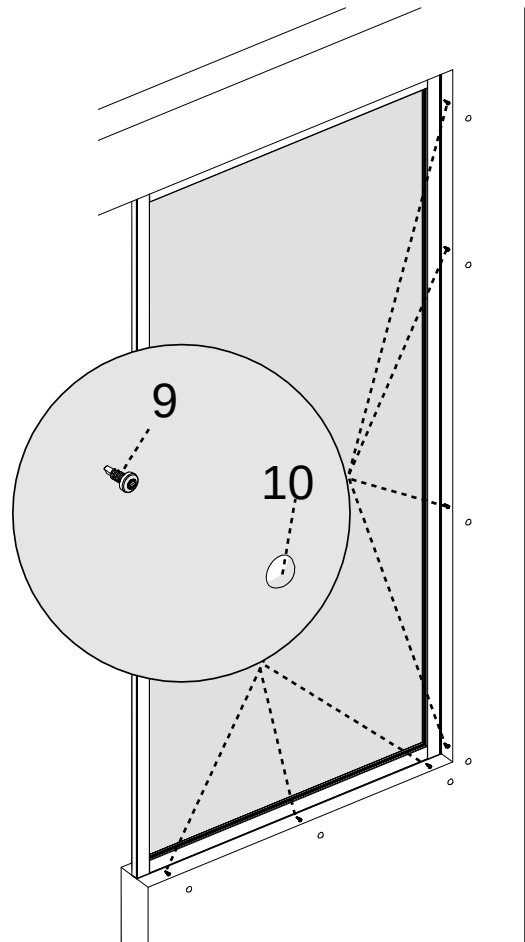
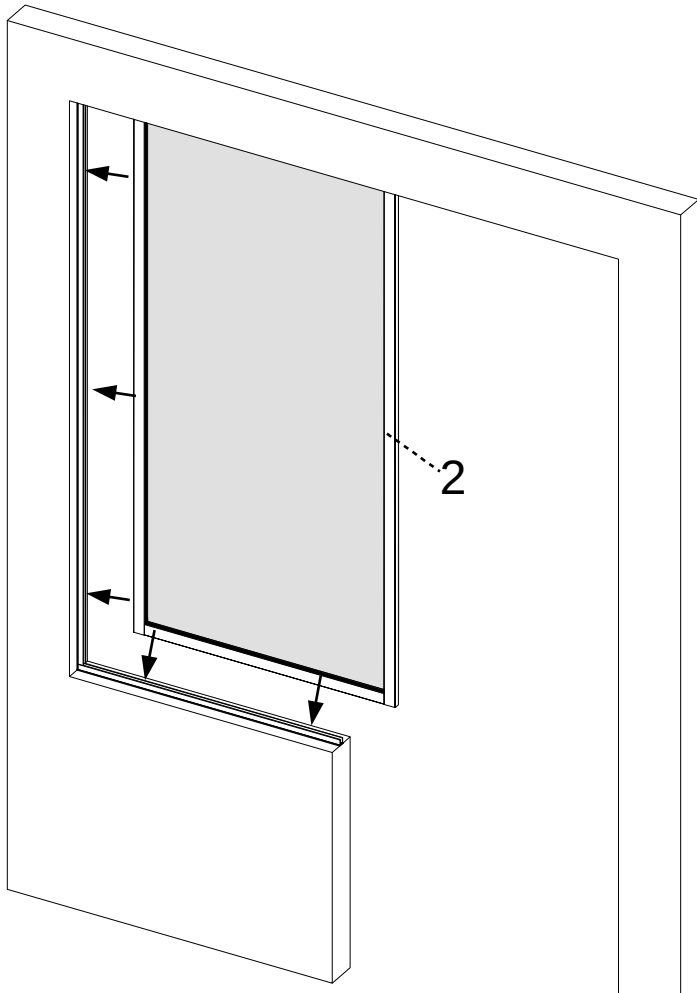
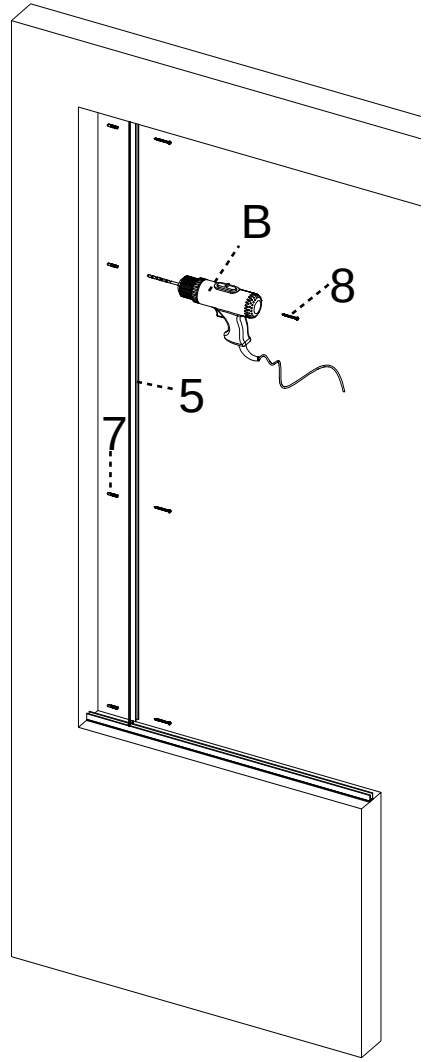
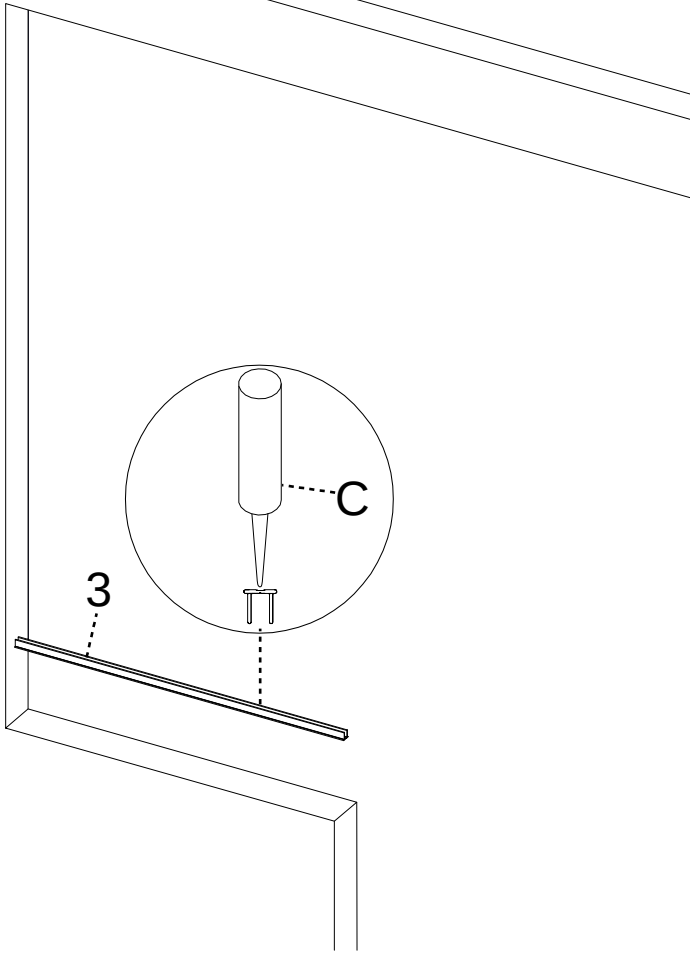


D

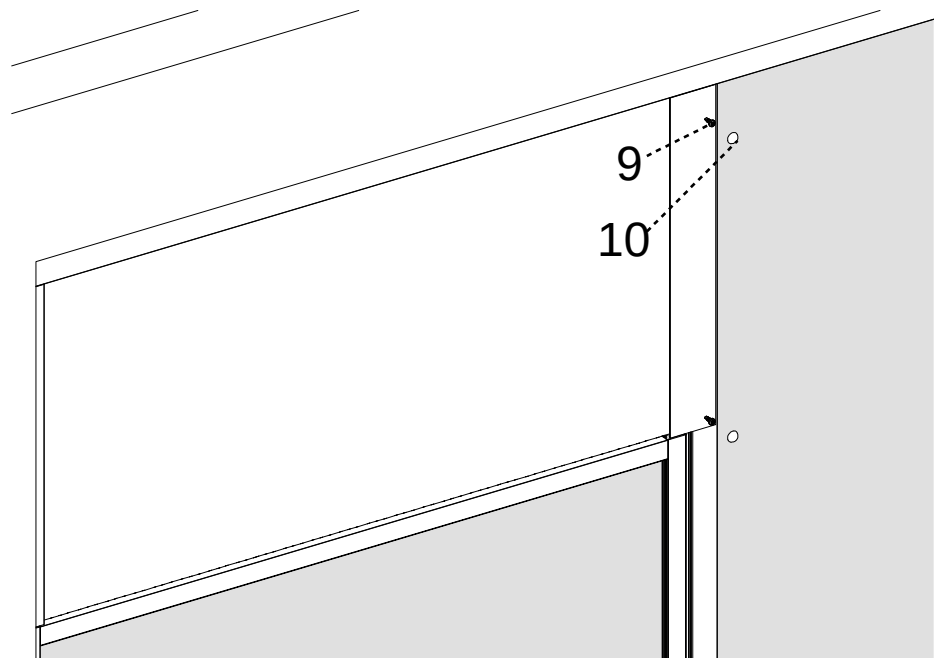
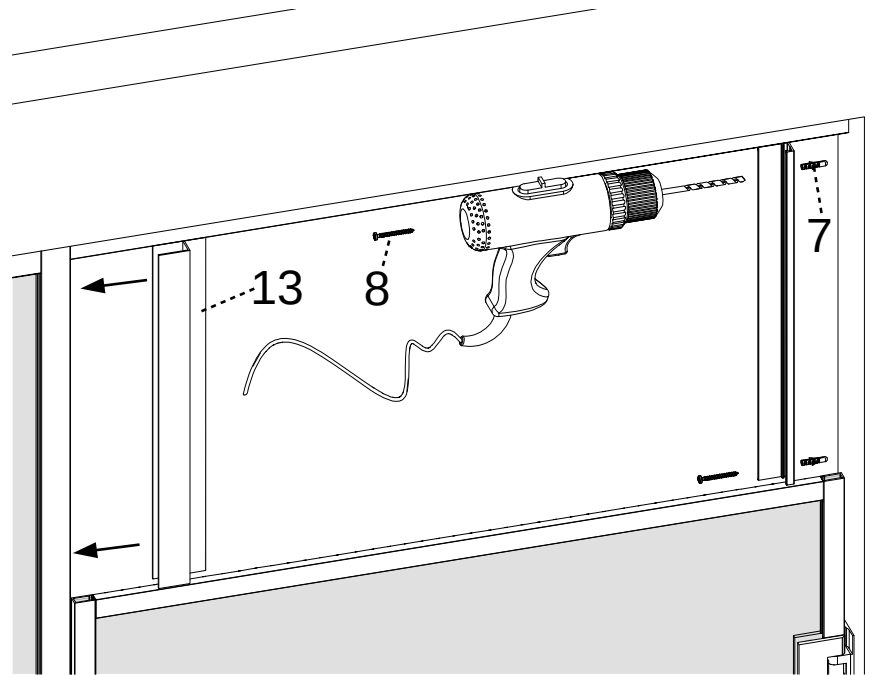
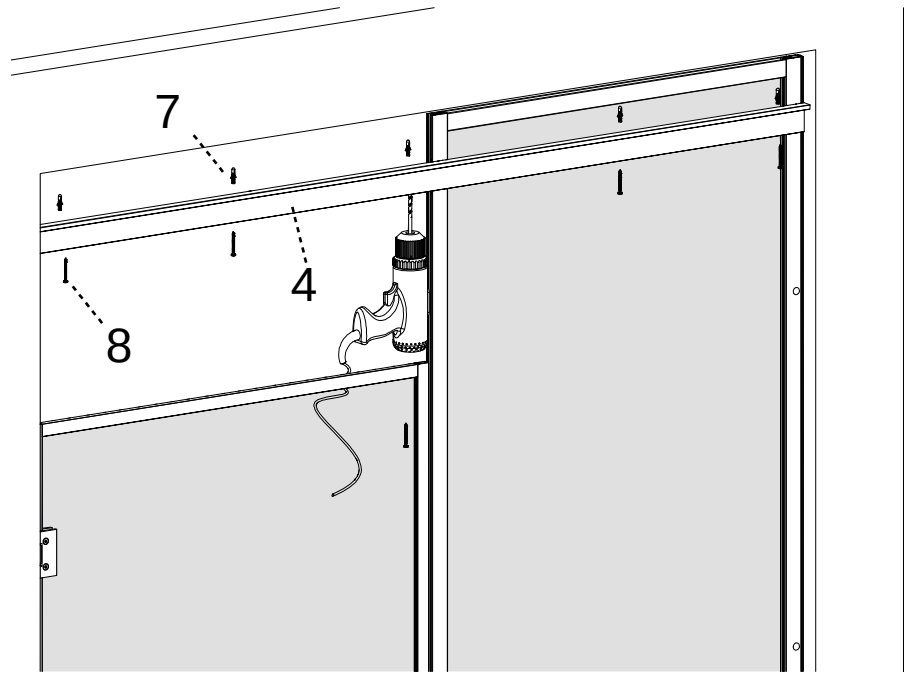
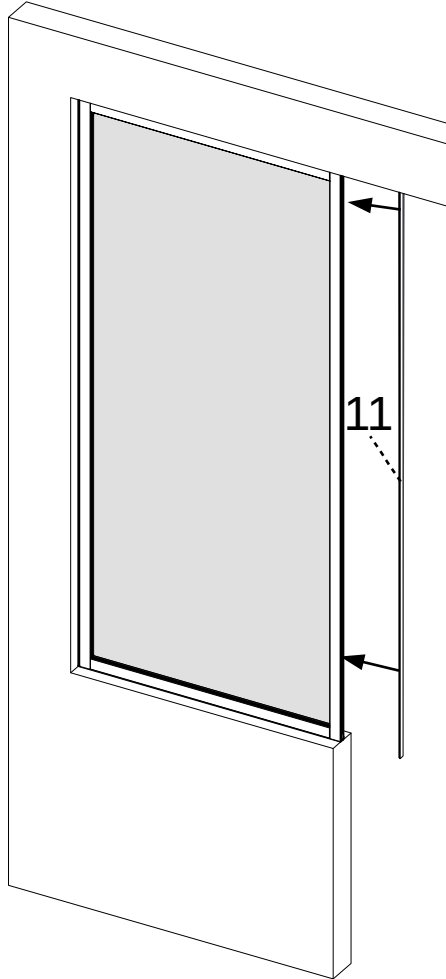
1

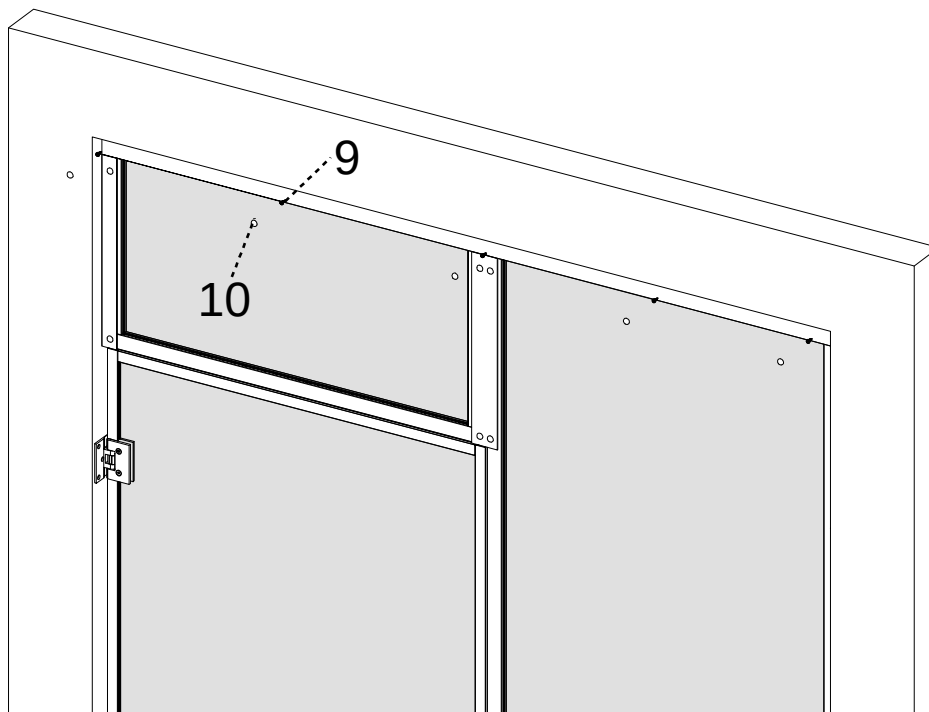
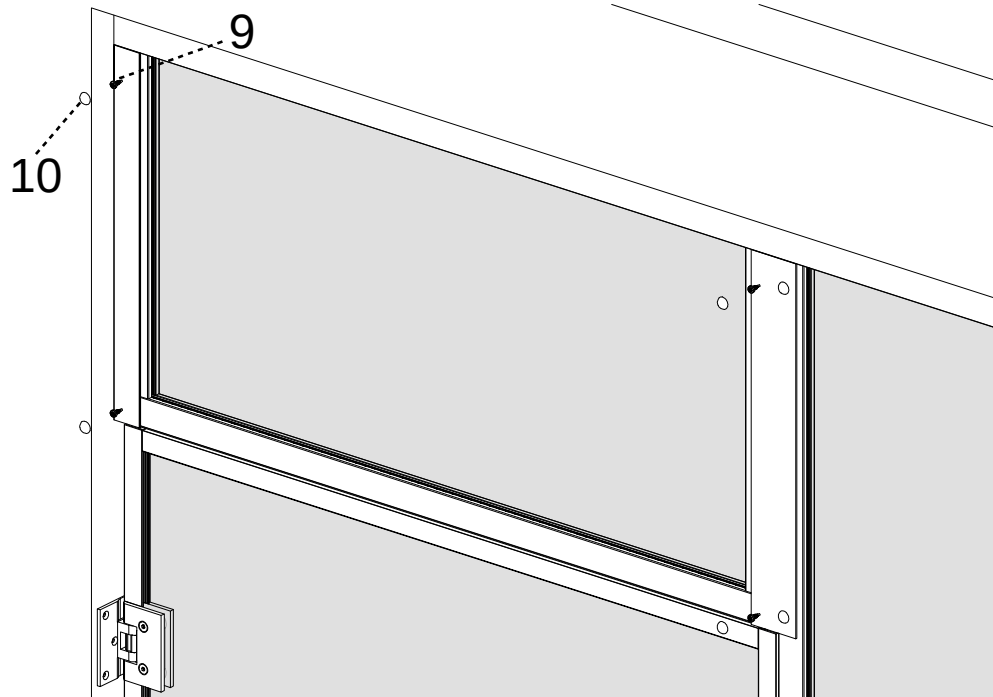
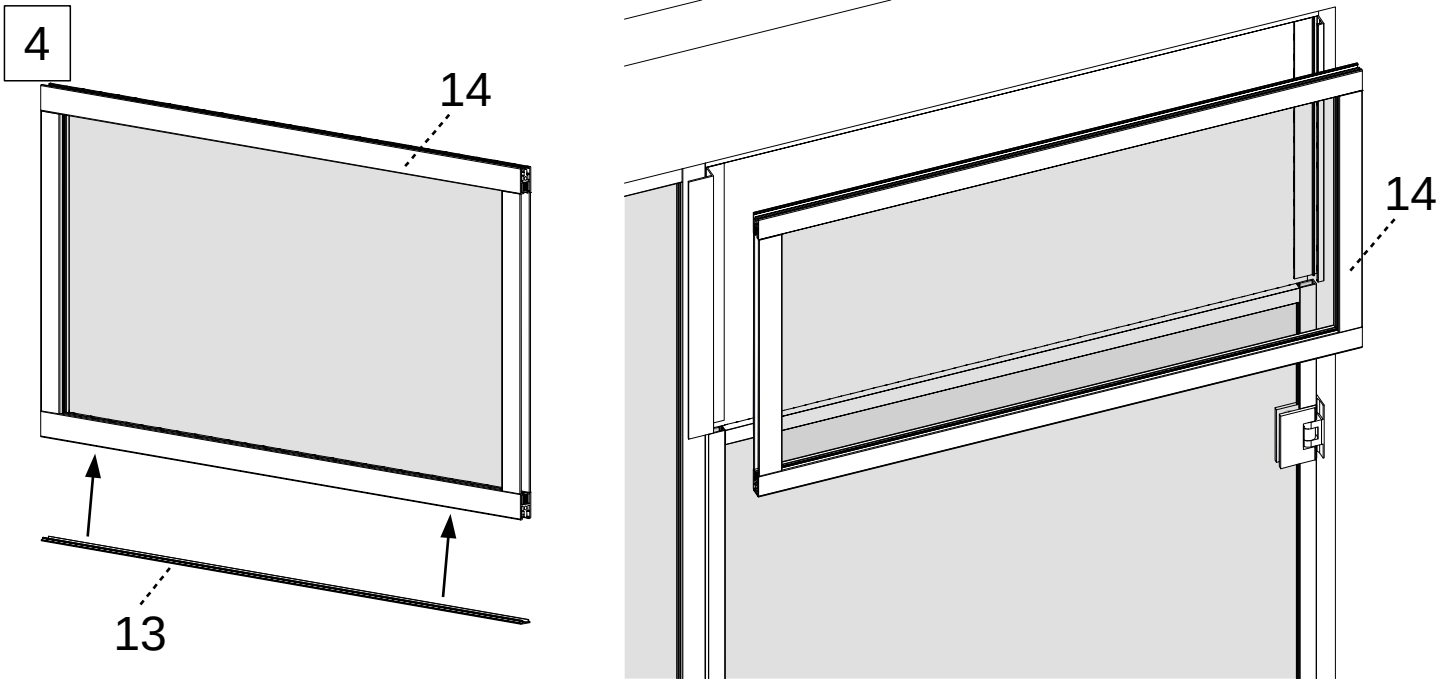


2



3





5

