

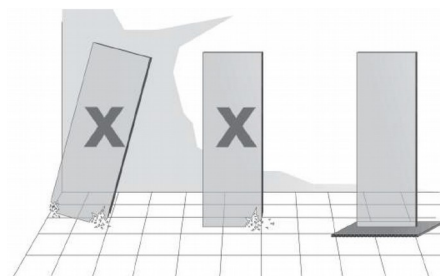
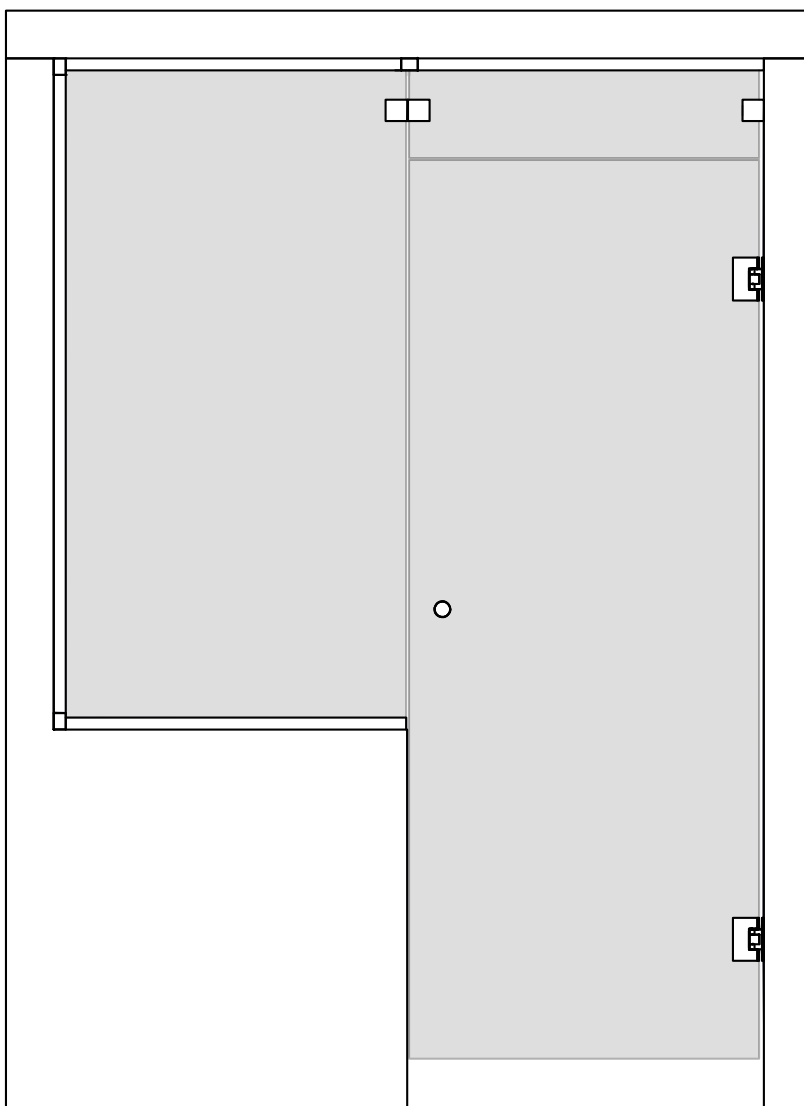


HIETAKARI®

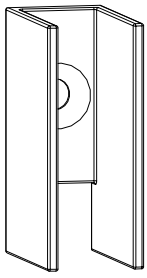


8/25 6RRLM

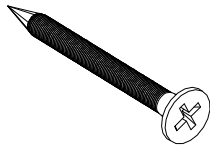
S58



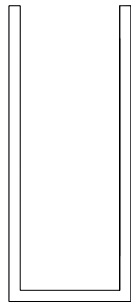
# Parts



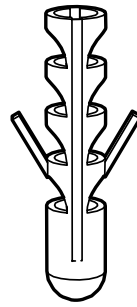
1. x2



2. x3

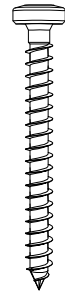


3. x4



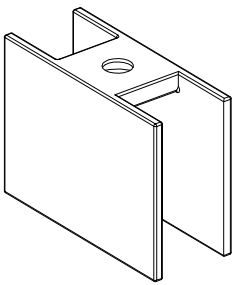
4/83 31RLM

4. 5x25mm



4/83 14RLM

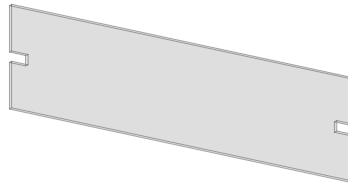
5. 3.5x39mm



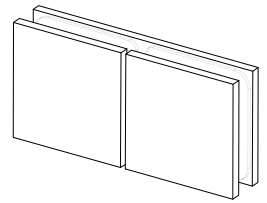
6. x1



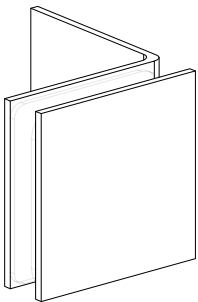
7. x1



8. x1



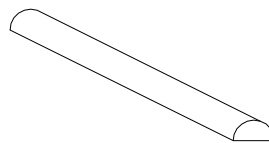
9. x1



10. x1

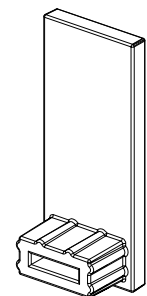


11. x1



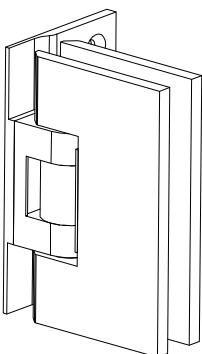
8/85 51RLM

12. x5



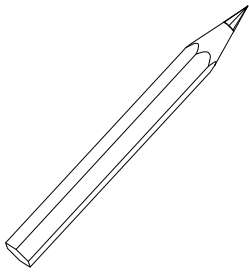
4/83 99RLM

13. x1

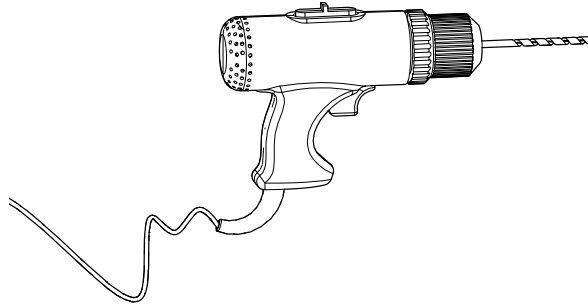


14. x2

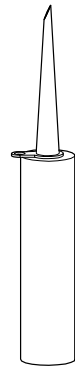
# Tools



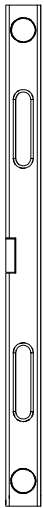
A



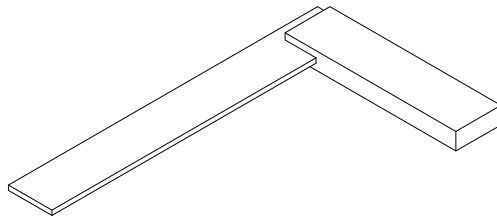
Ø4 mm  
Ø5 mm  
B



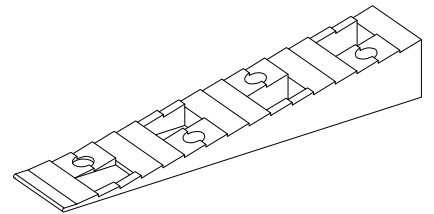
C – Silicone  
D – Glue



E



F

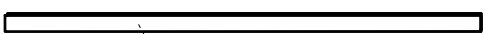
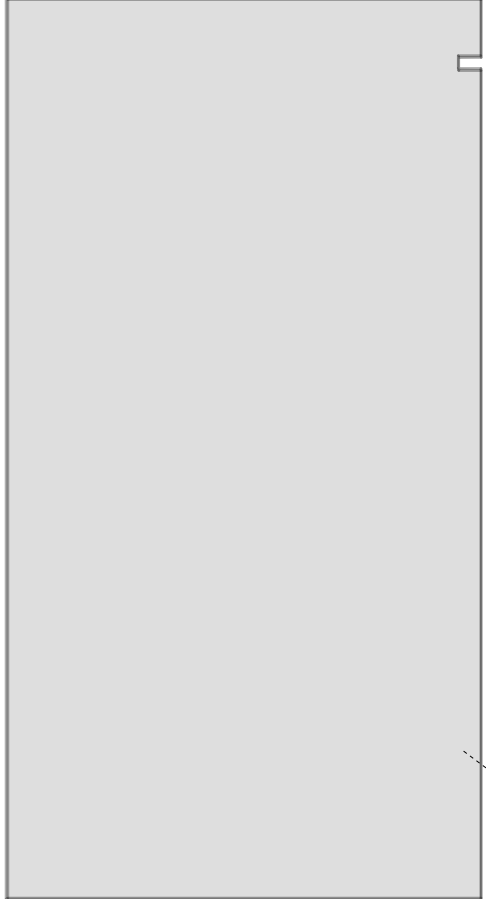
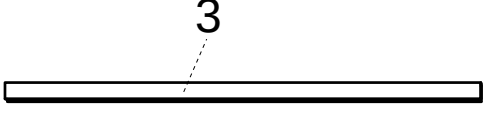


G

1



1



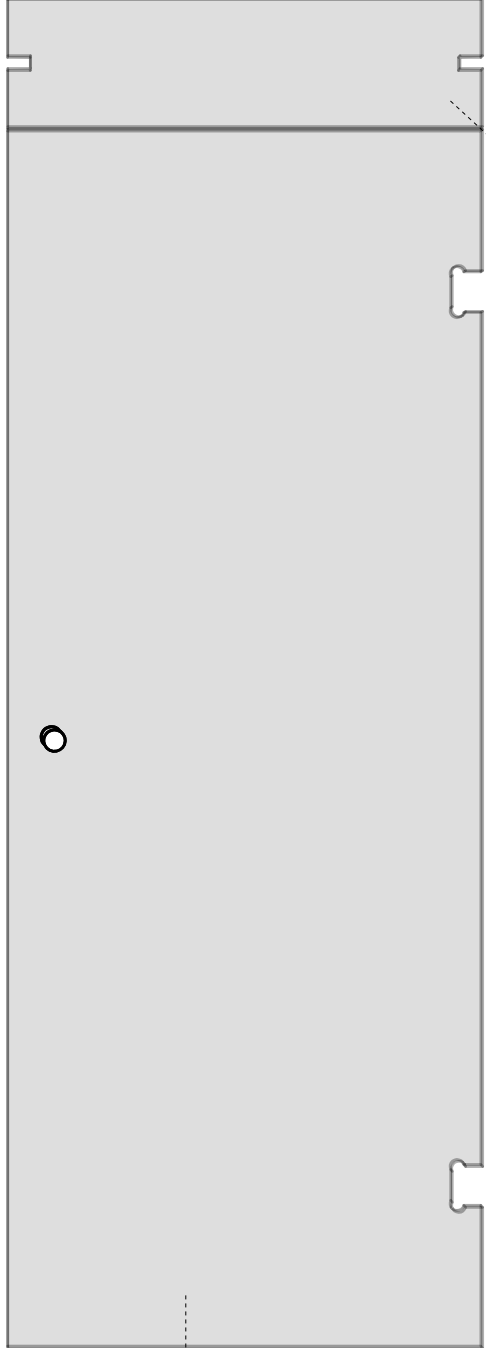
6



9

7

13



10



8



14



11

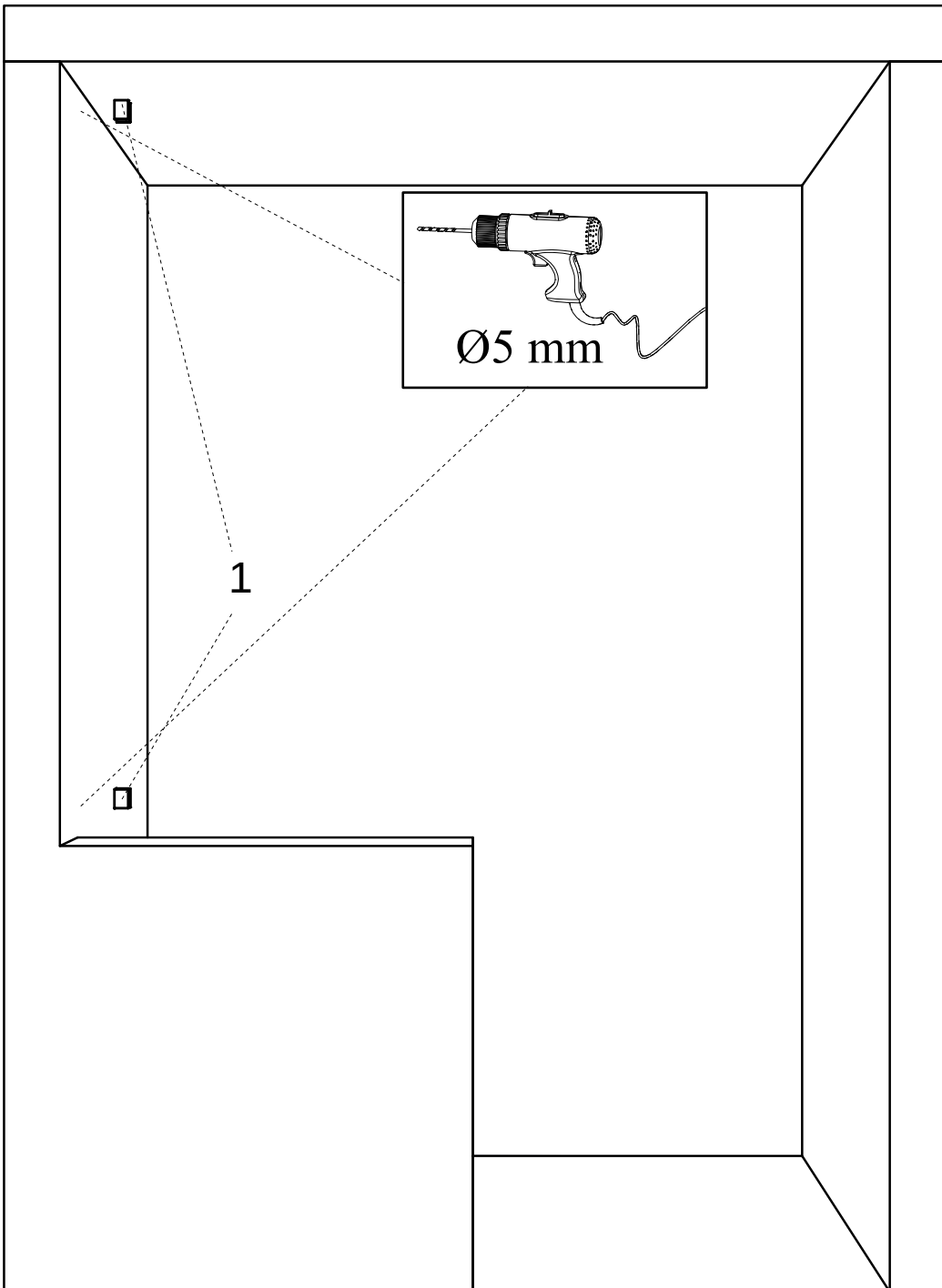
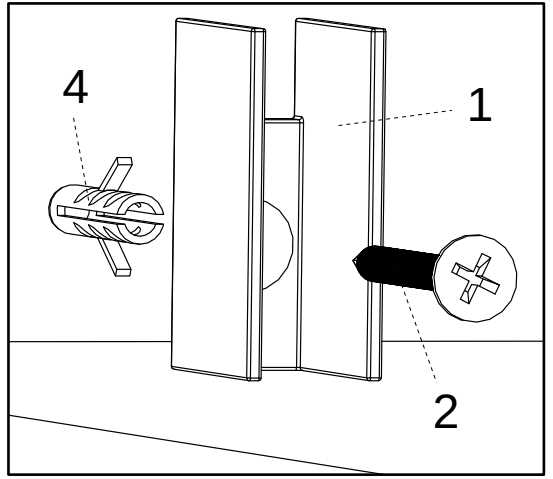
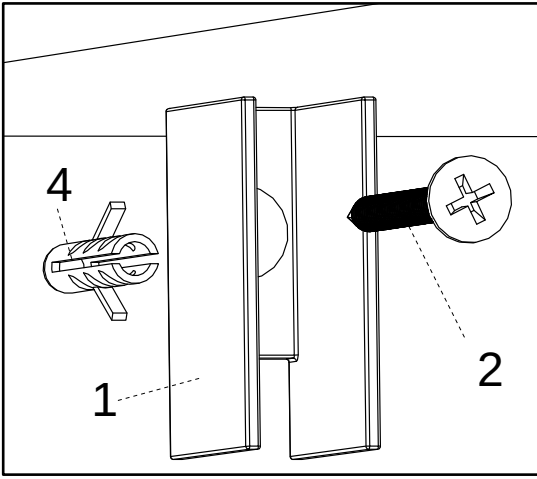
3

3

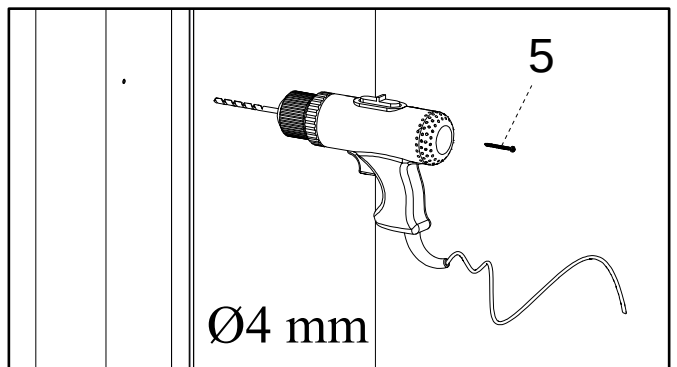
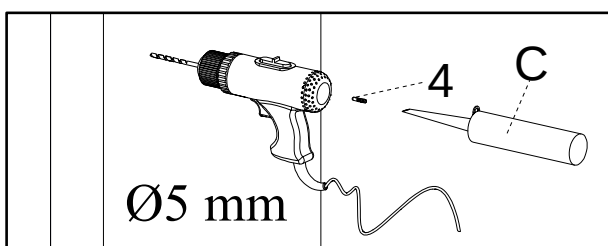
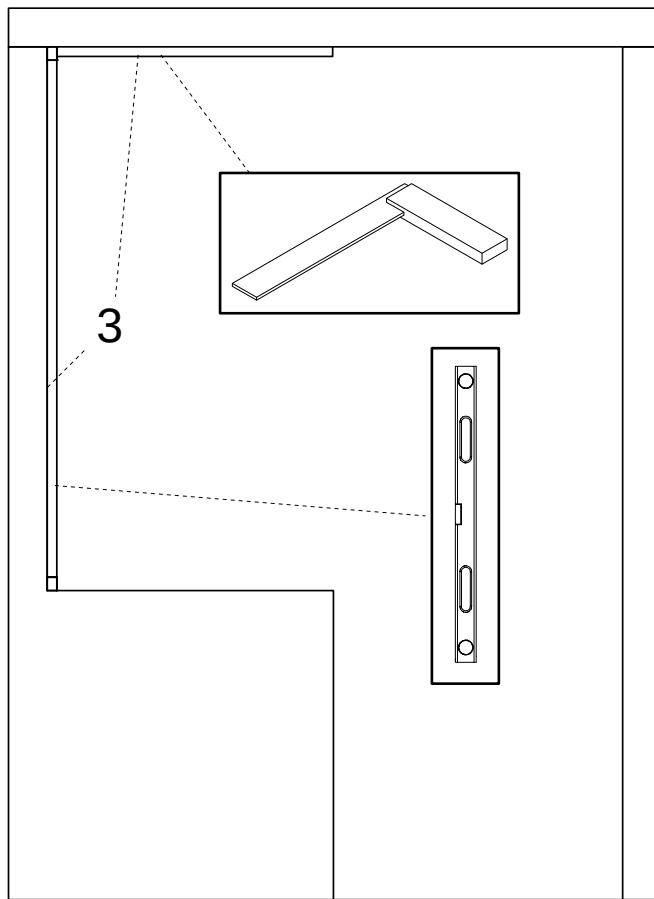
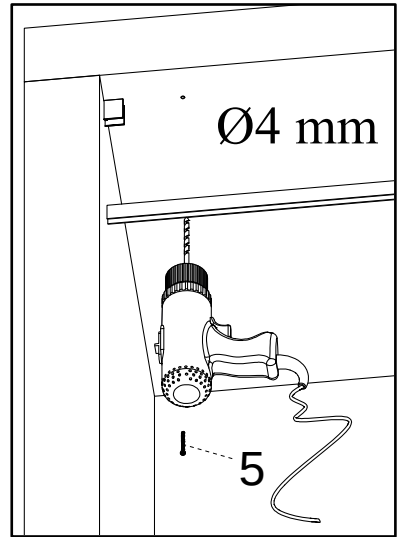
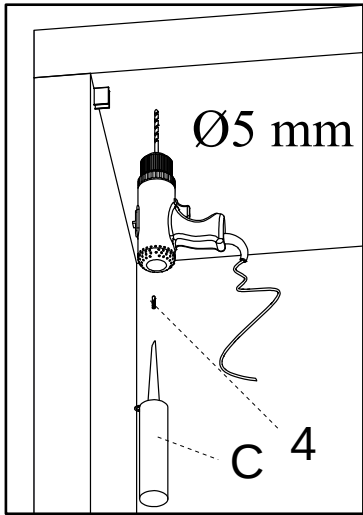
3

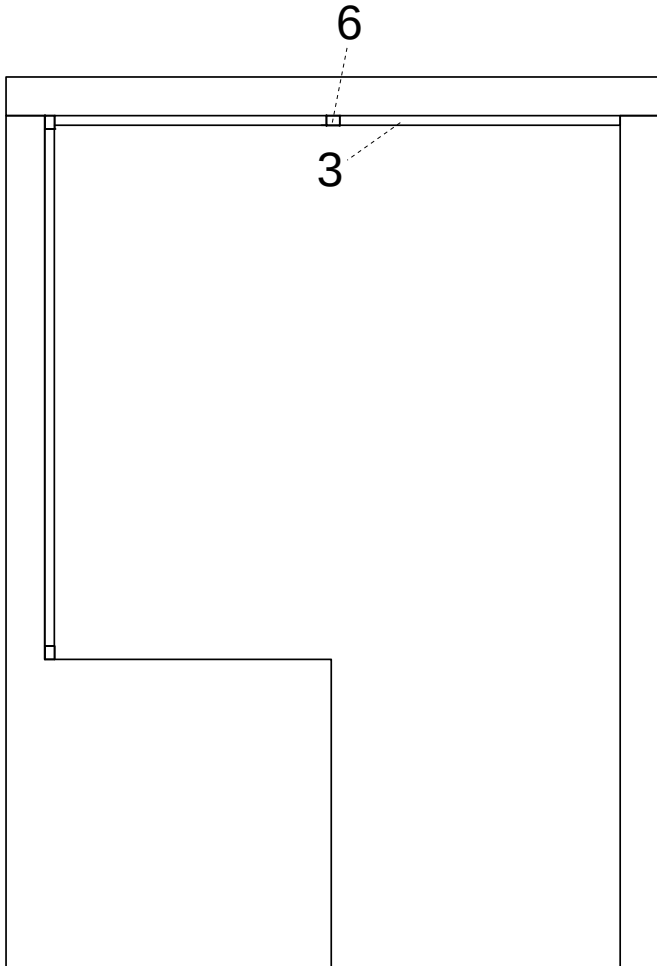
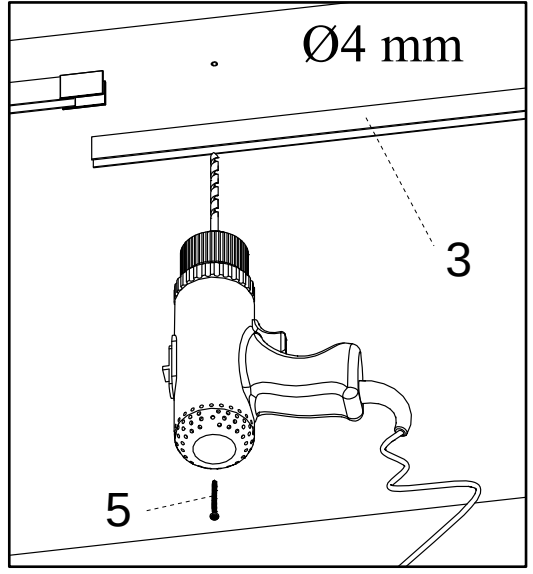
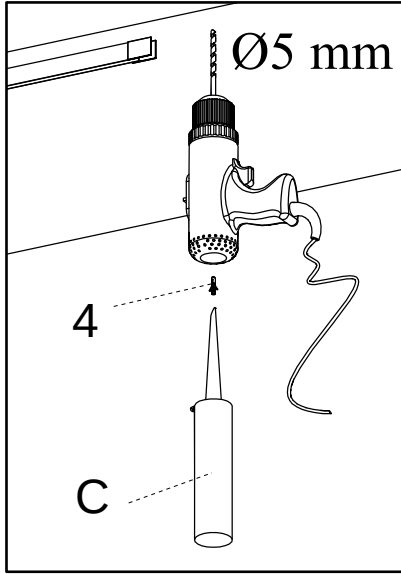
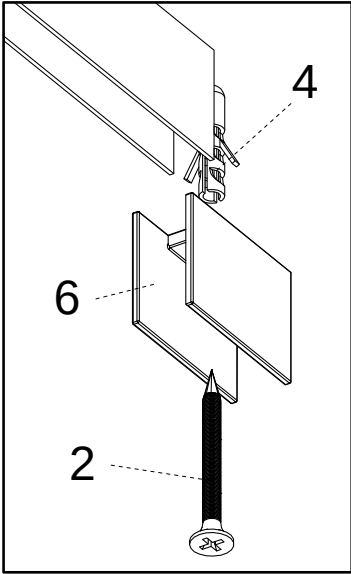
3

1

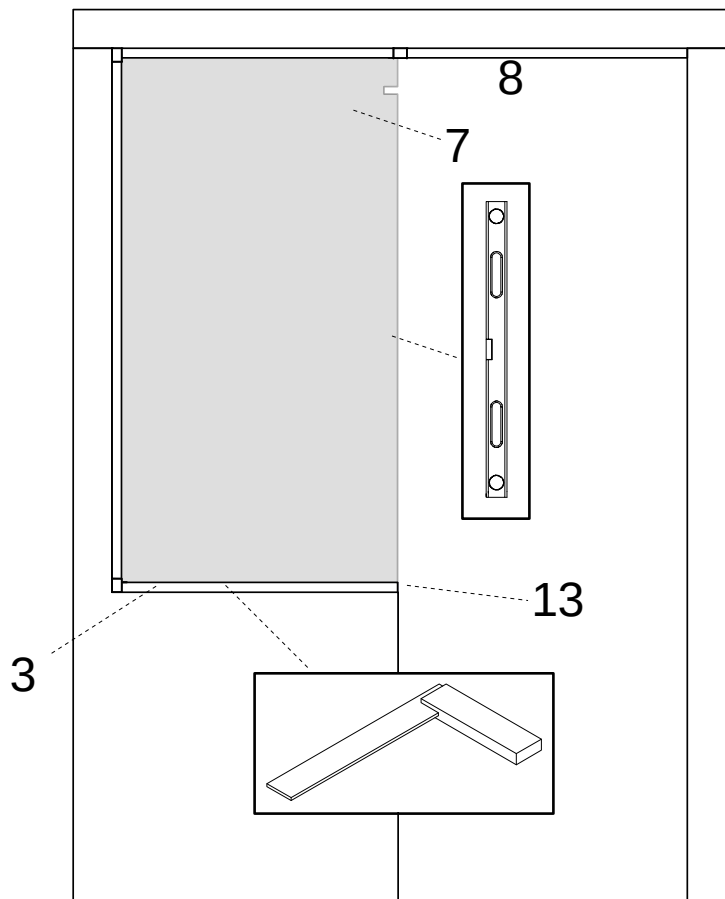
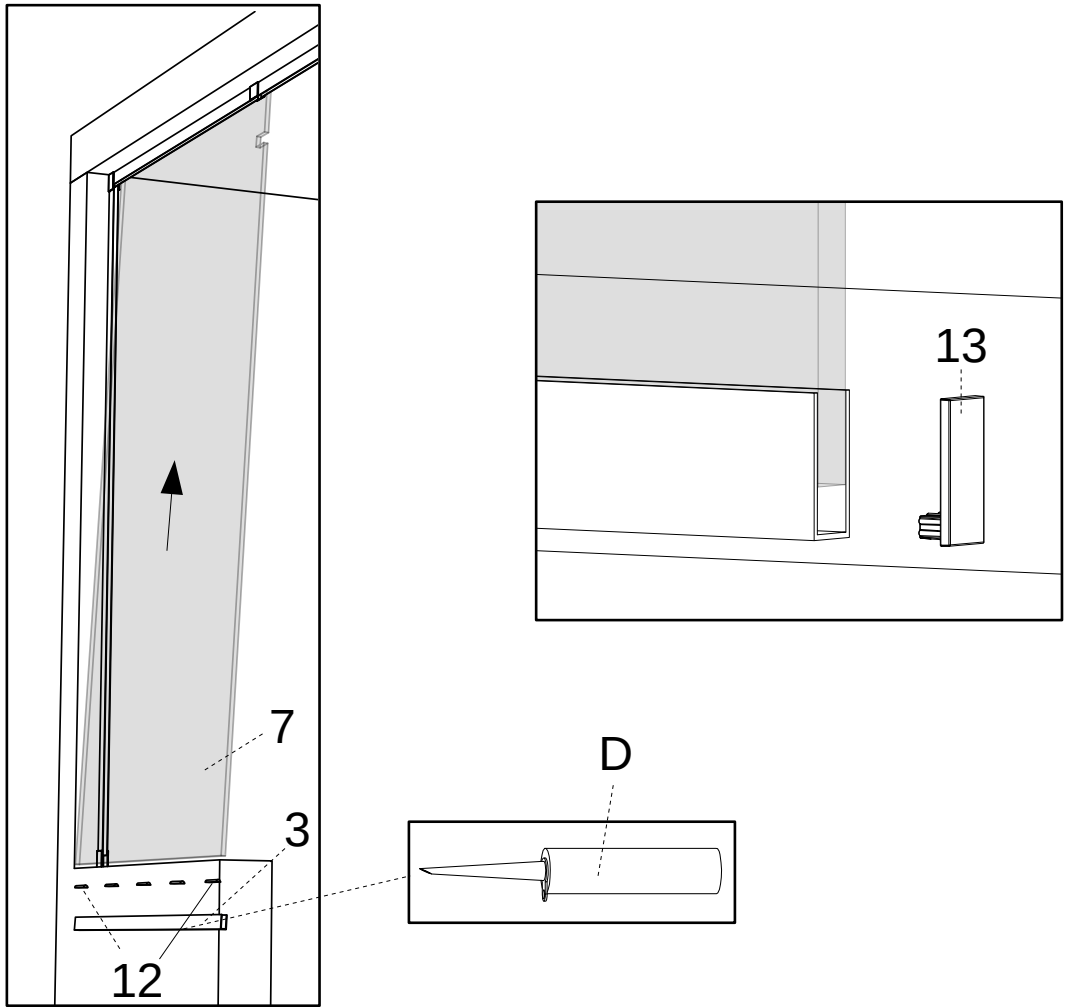


2



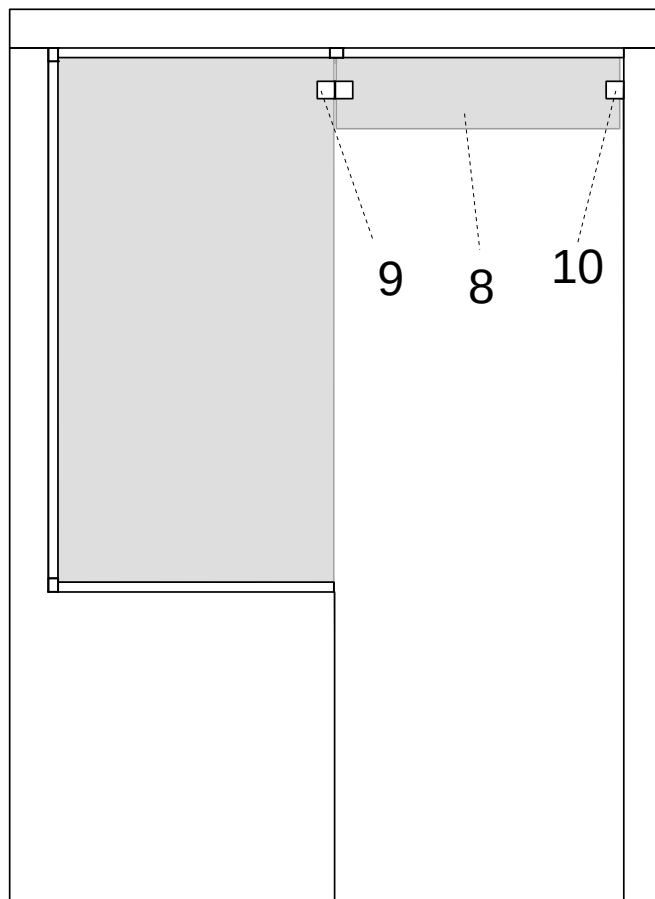
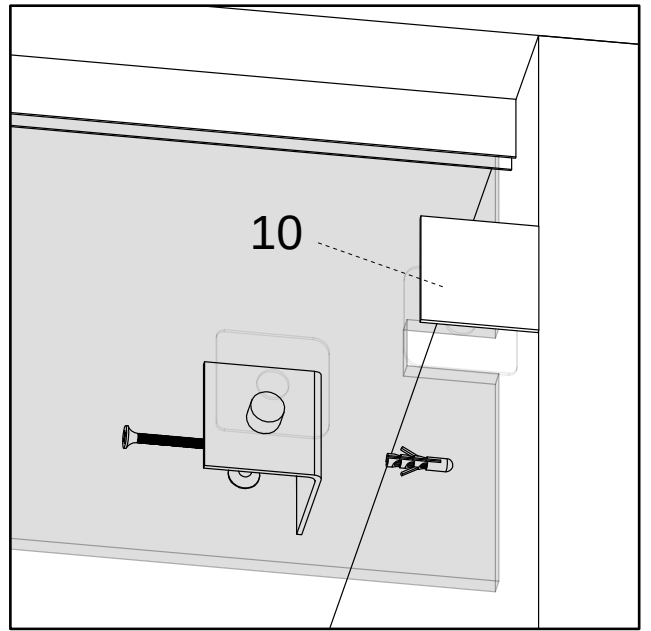
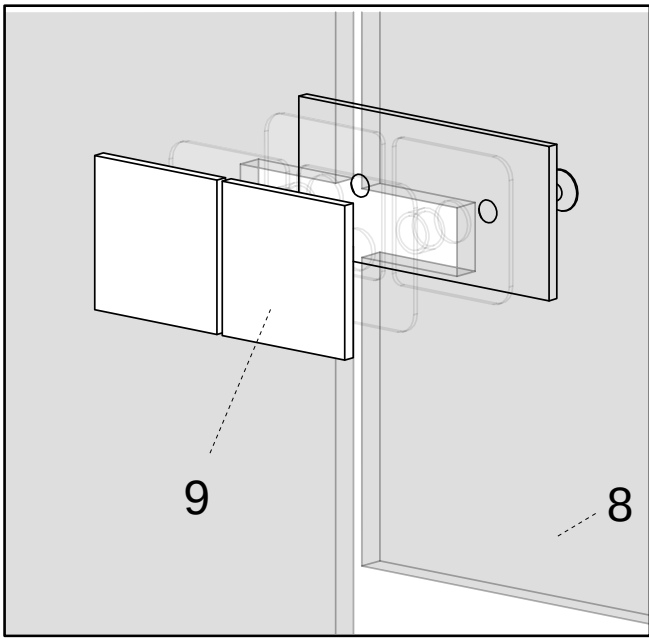


4





5



6

